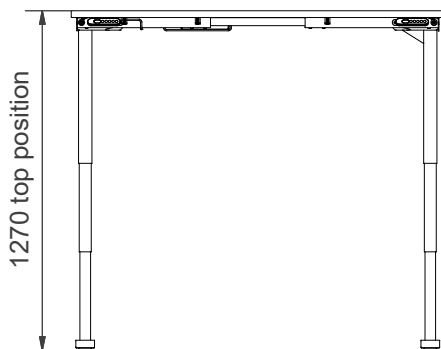
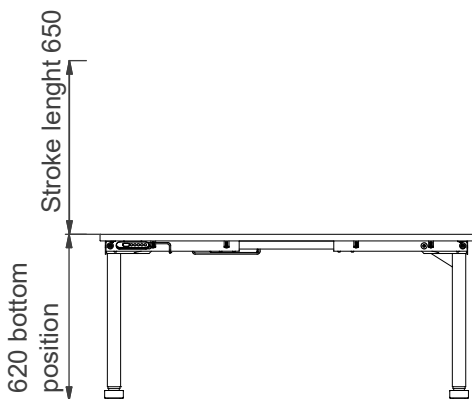
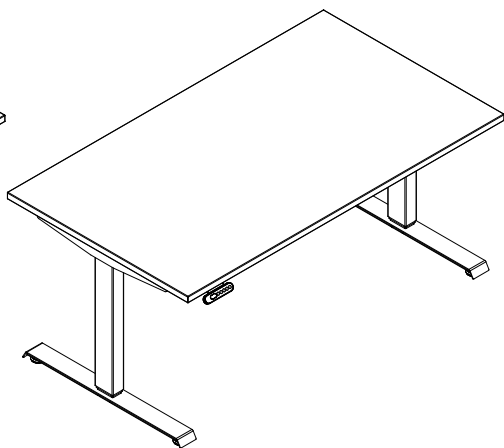
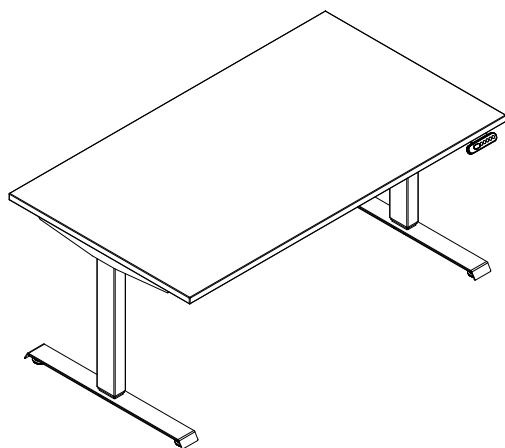


Assembly & use instructions

BeActive
electric table



Parts and accessories:

Tools needed:


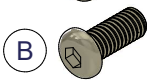
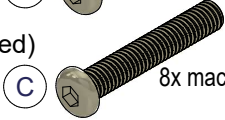

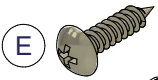
Allen wrench 4mm

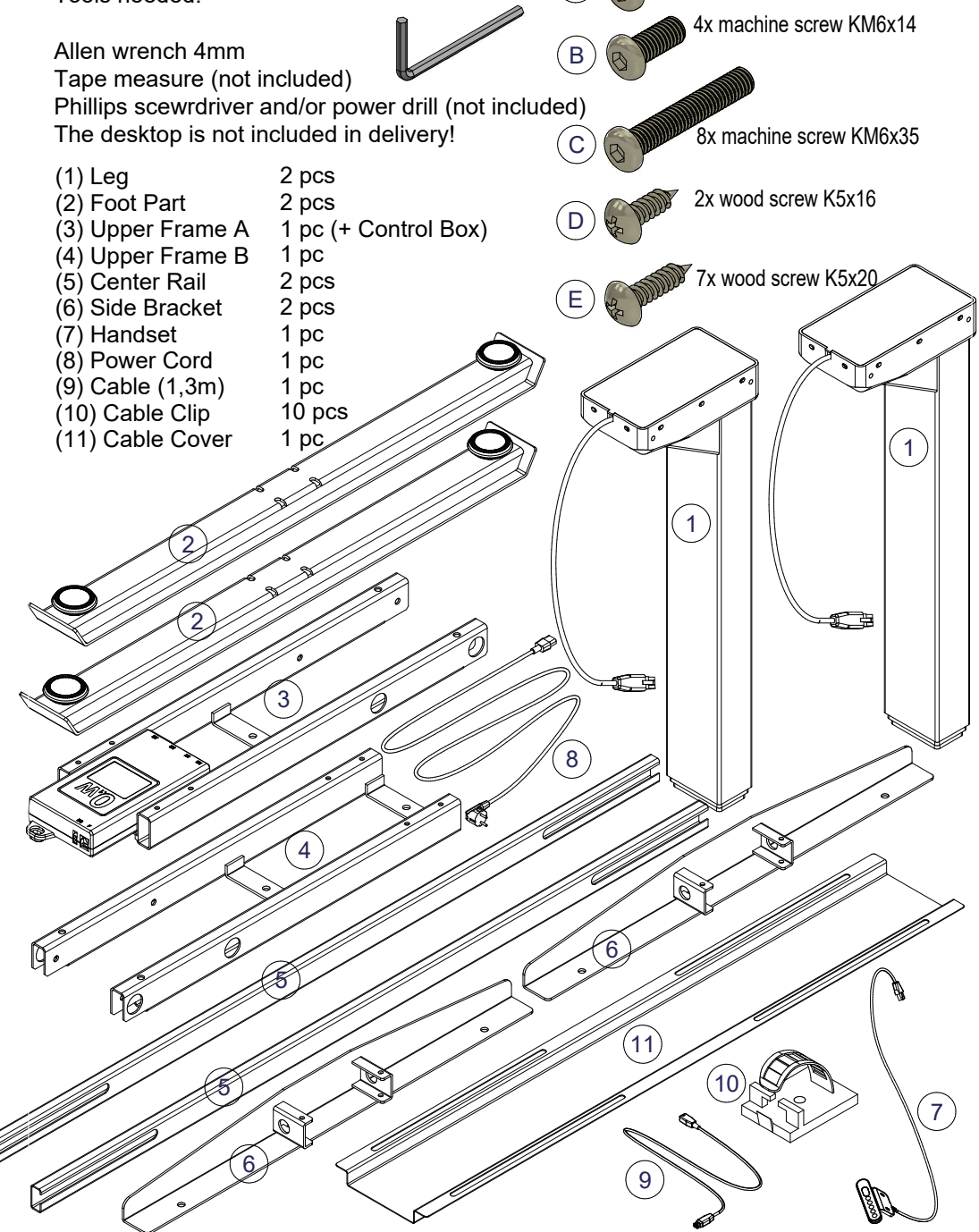
Tape measure (not included)

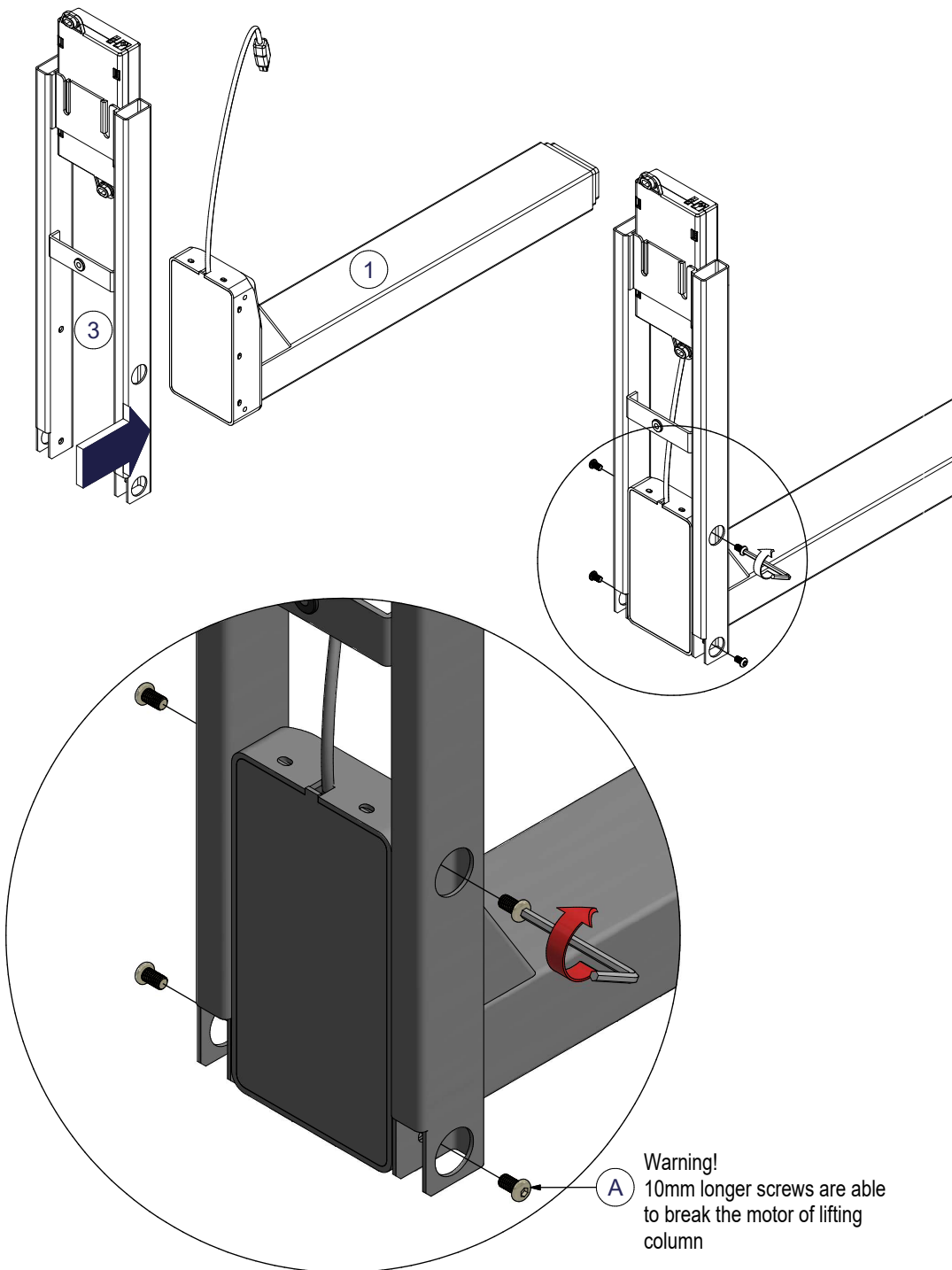
Phillips screwdriver and/or power drill (not included)

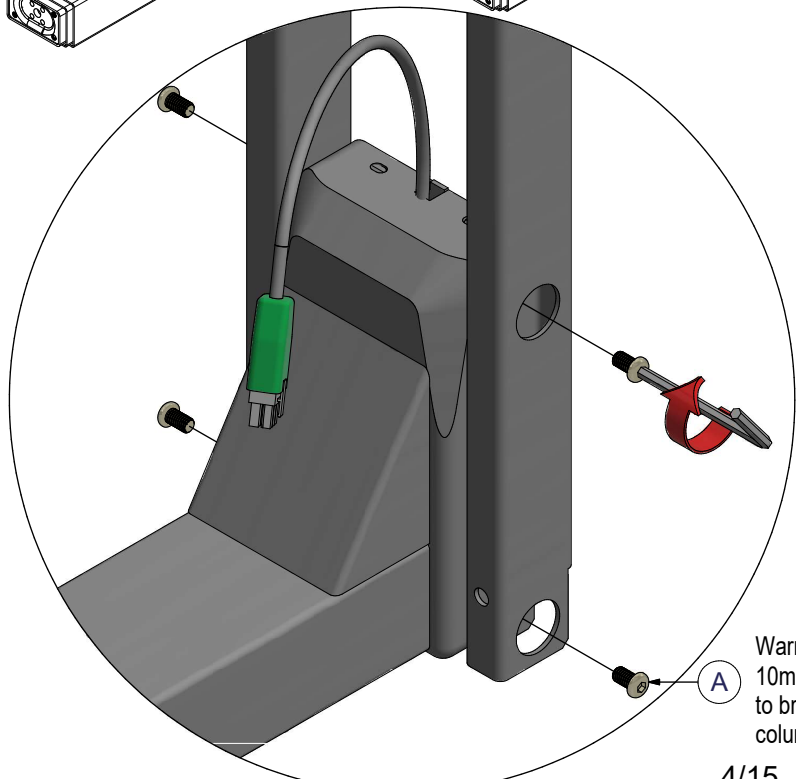
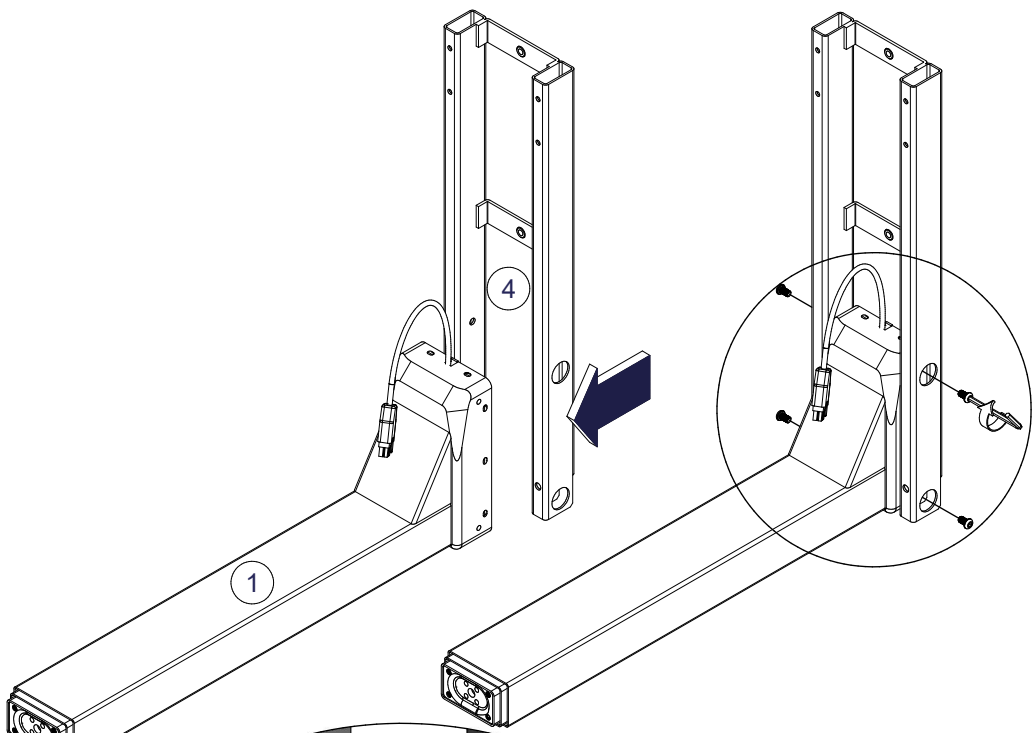
The desktop is not included in delivery!

- | | |
|-------------------|----------------------|
| (1) Leg | 2 pcs |
| (2) Foot Part | 2 pcs |
| (3) Upper Frame A | 1 pc (+ Control Box) |
| (4) Upper Frame B | 1 pc |
| (5) Center Rail | 2 pcs |
| (6) Side Bracket | 2 pcs |
| (7) Handset | 1 pc |
| (8) Power Cord | 1 pc |
| (9) Cable (1,3m) | 1 pc |
| (10) Cable Clip | 10 pcs |
| (11) Cable Cover | 1 pc |

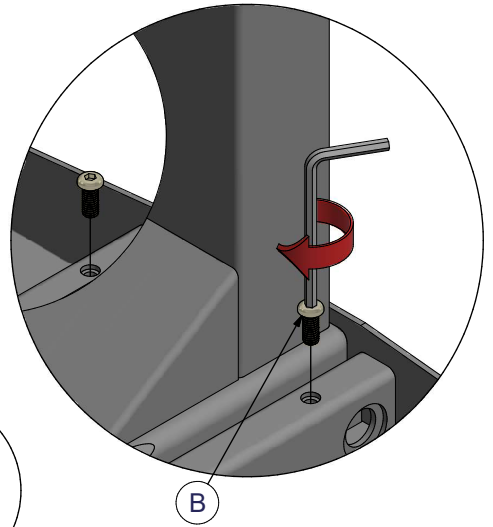
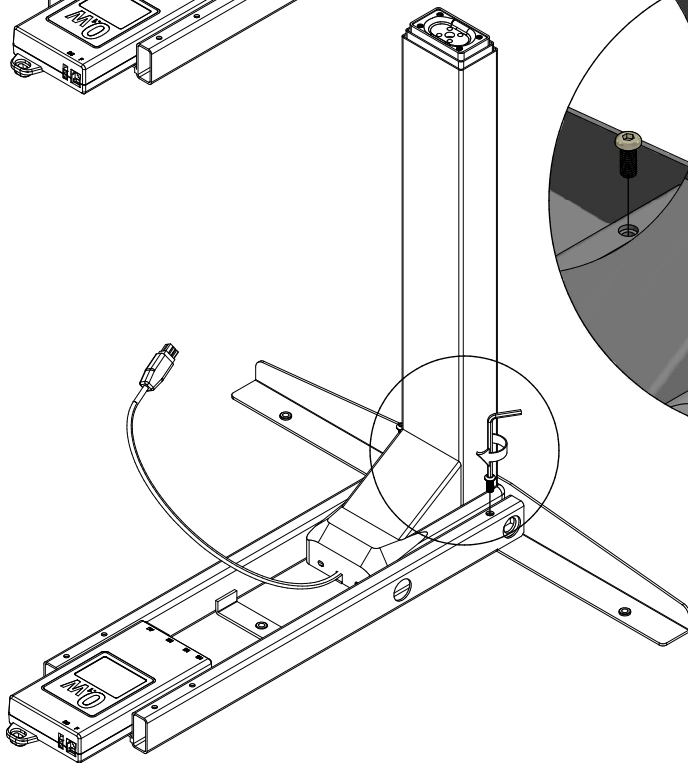
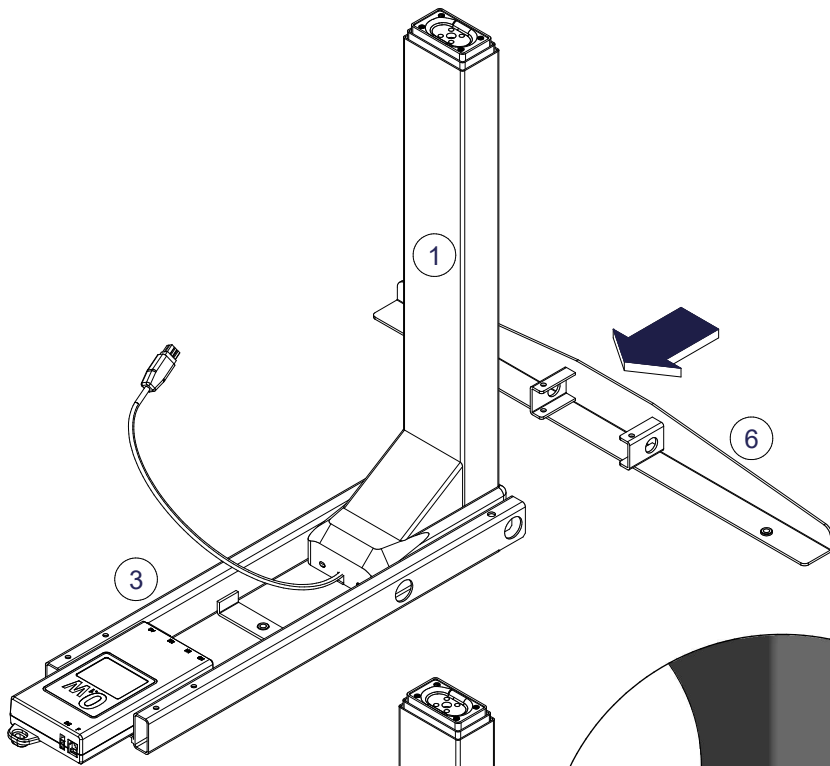
- | | | |
|---|---|--------------------------|
| A |  | 16x machine screw KM6x10 |
| B |  | 4x machine screw KM6x14 |
| C |  | 8x machine screw KM6x35 |
| D |  | 2x wood screw K5x16 |
| E |  | 7x wood screw K5x20 |

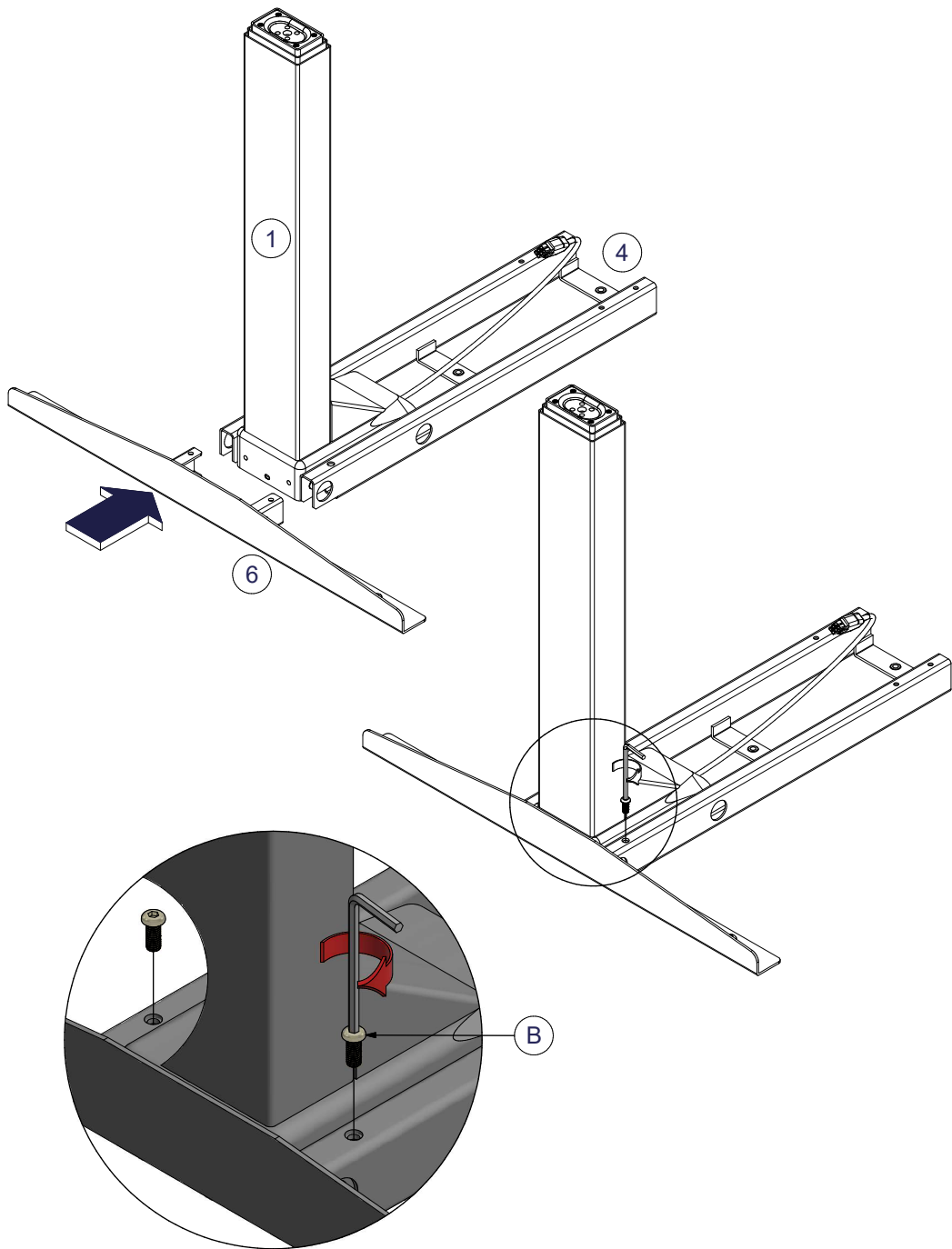


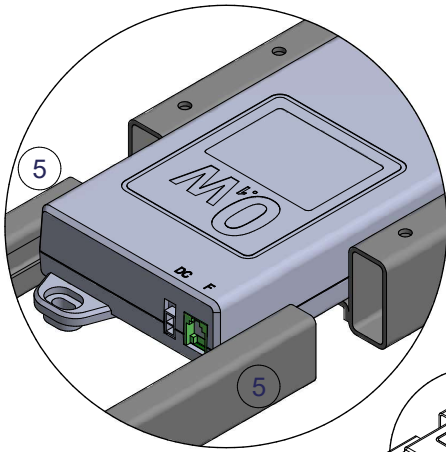




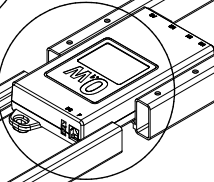
Warning!
10mm longer screws are able to break the motor of lifting column





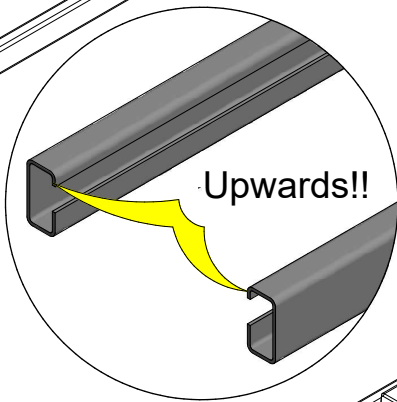


5

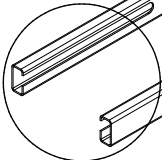


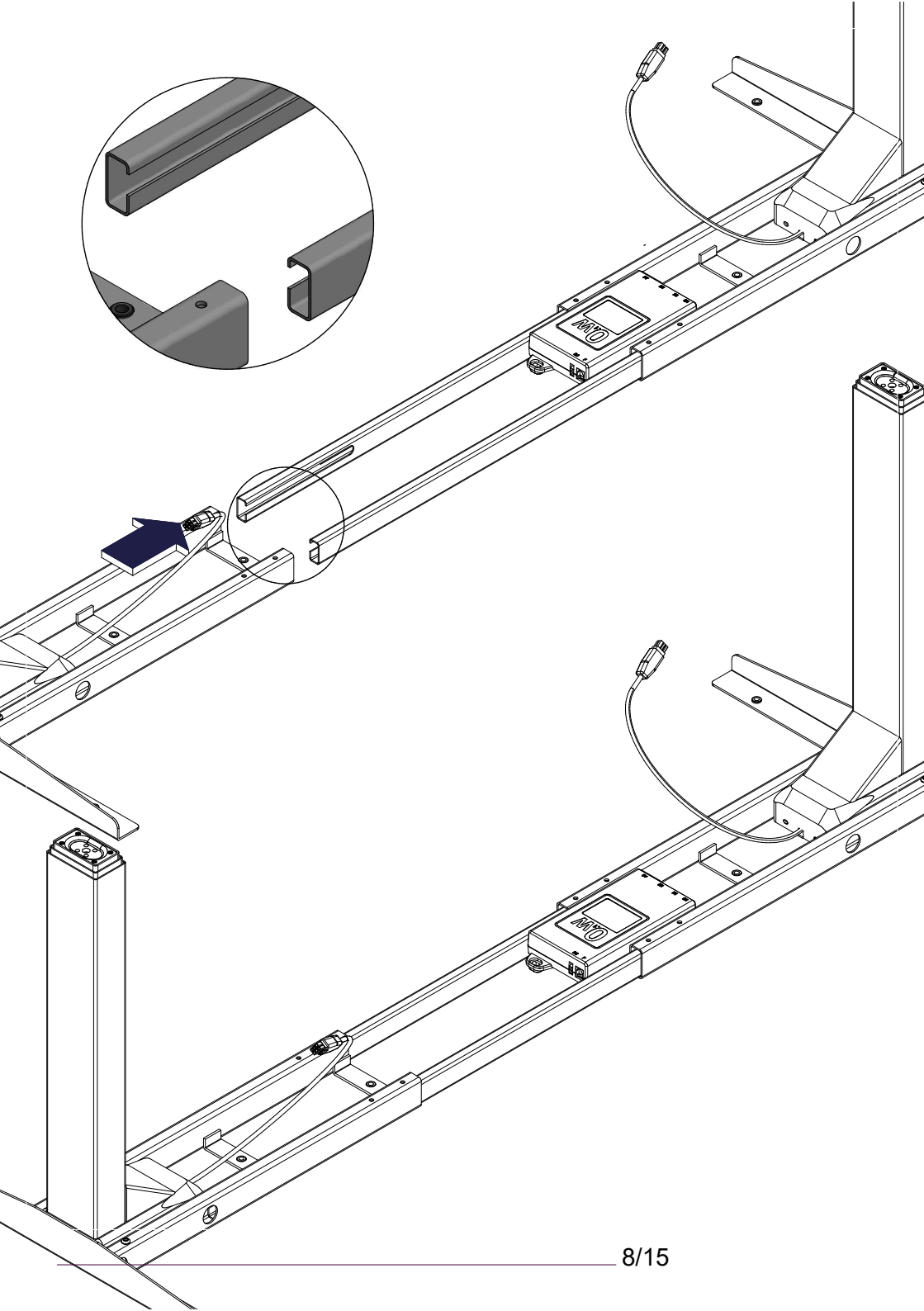
5

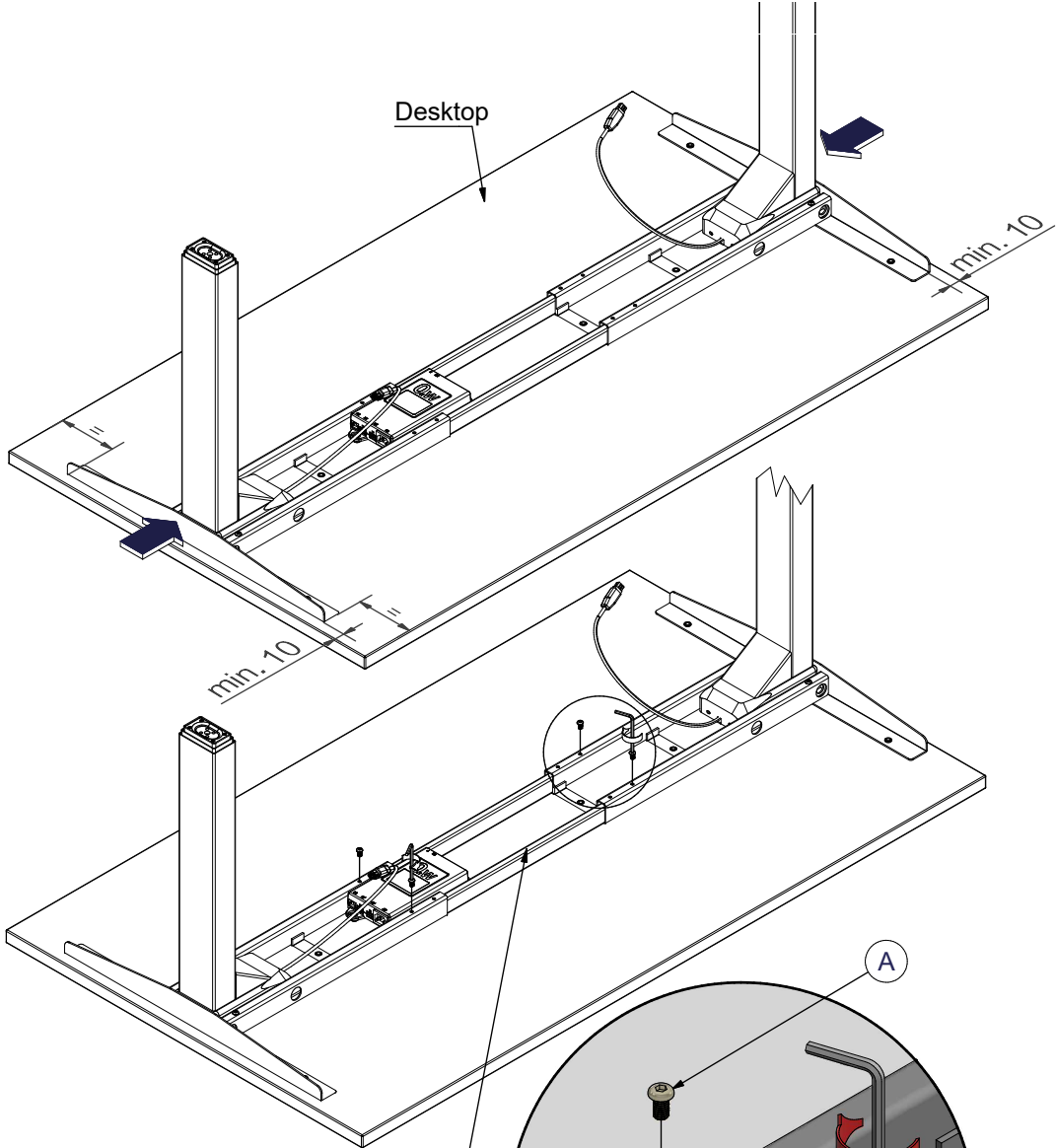
Measure the center of the rails and make a mark at the top



Upwards!!

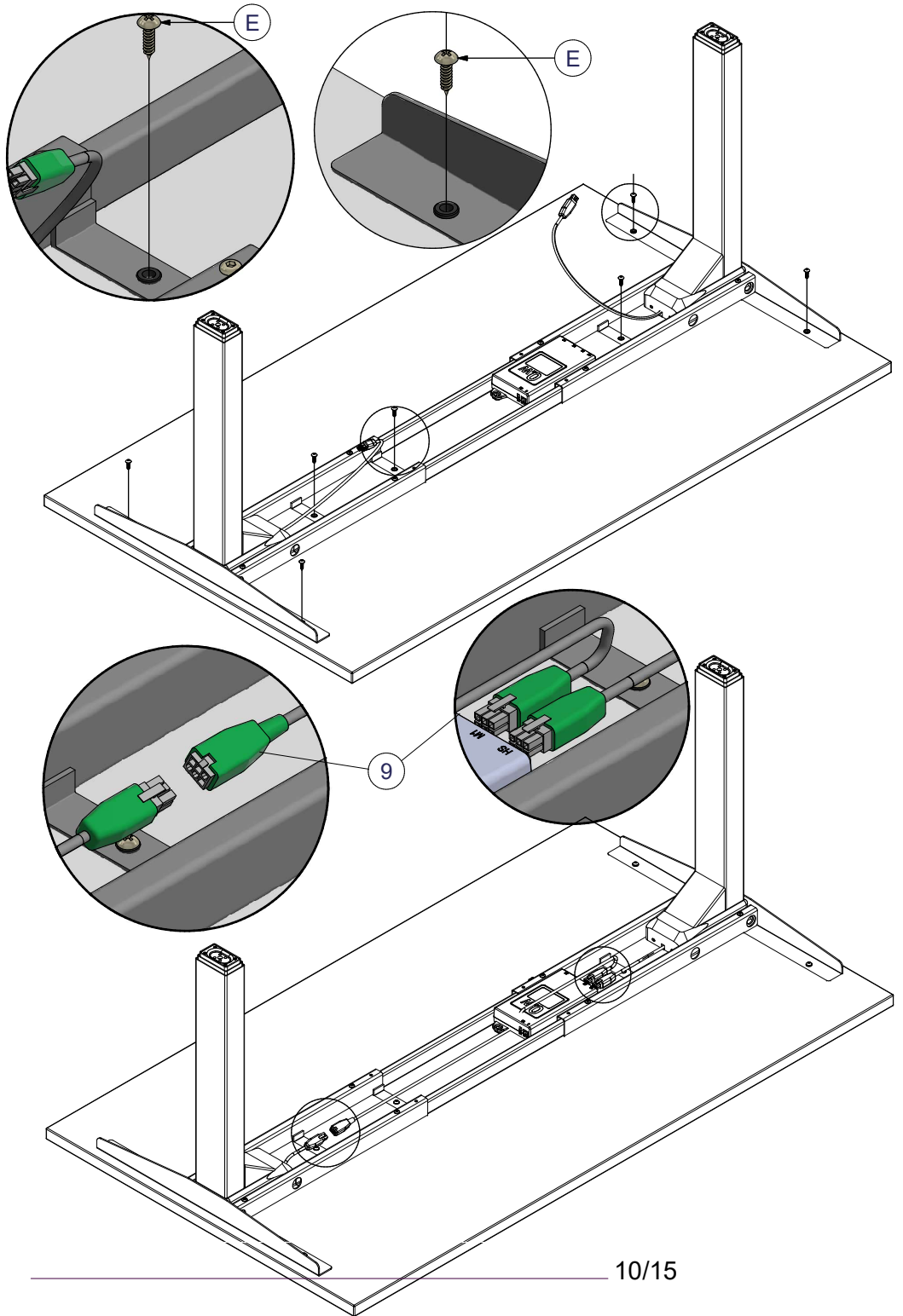


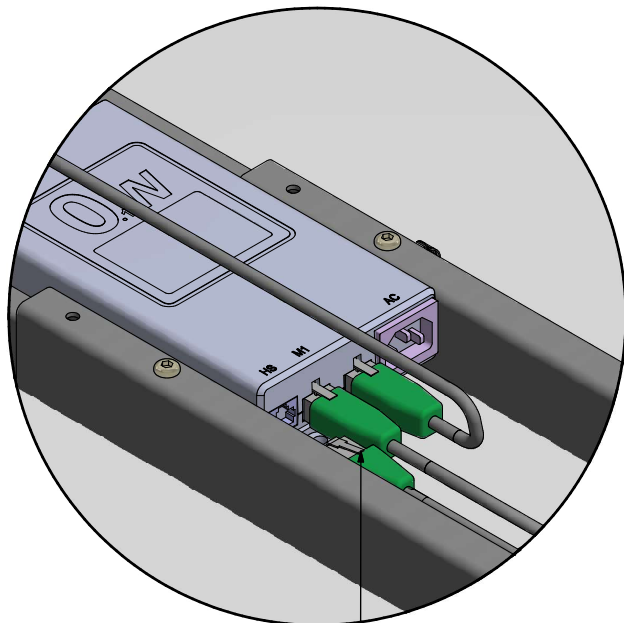




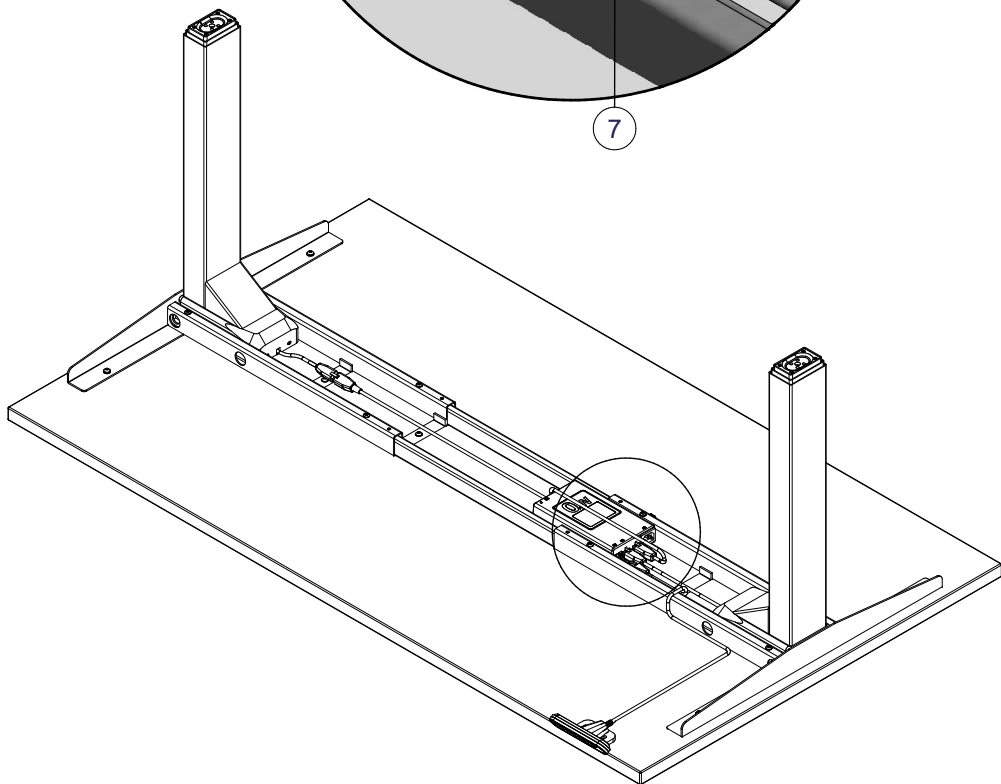
Adjust the rails symmetrically before inserting screws

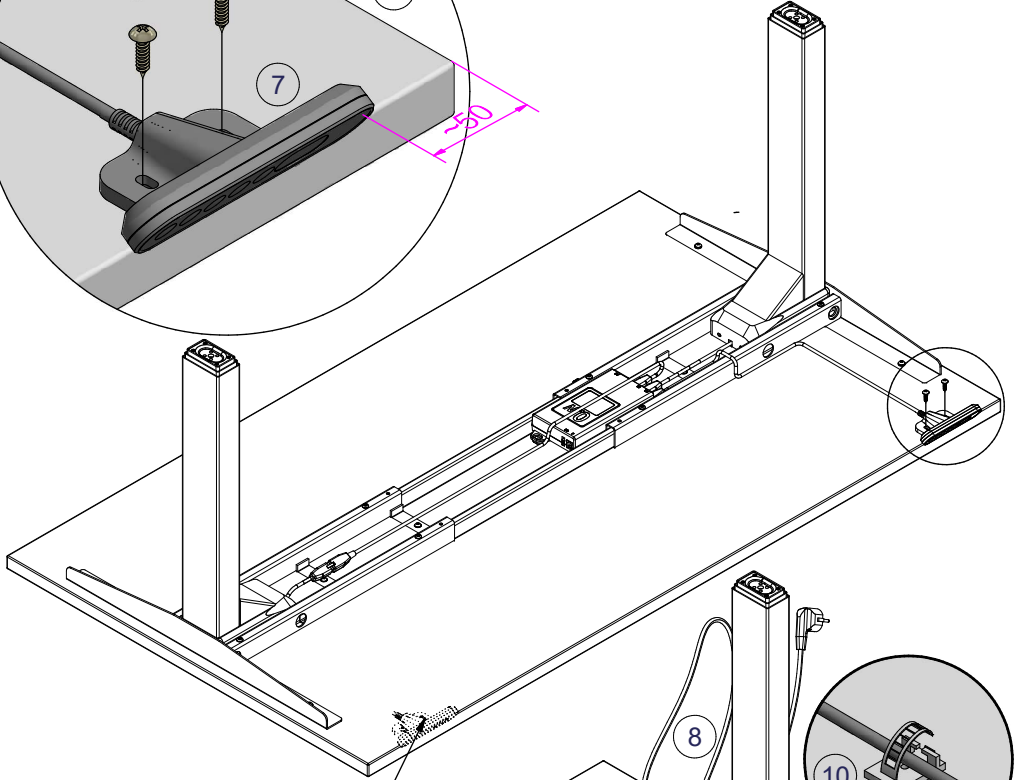
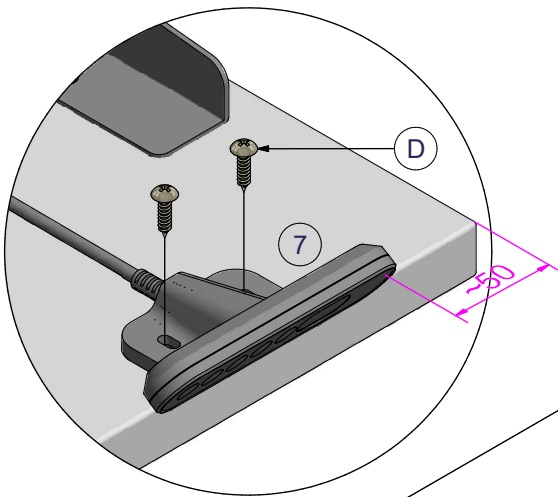
Adjust the width of the desk base to fit the desktop by sliding the two halves outward



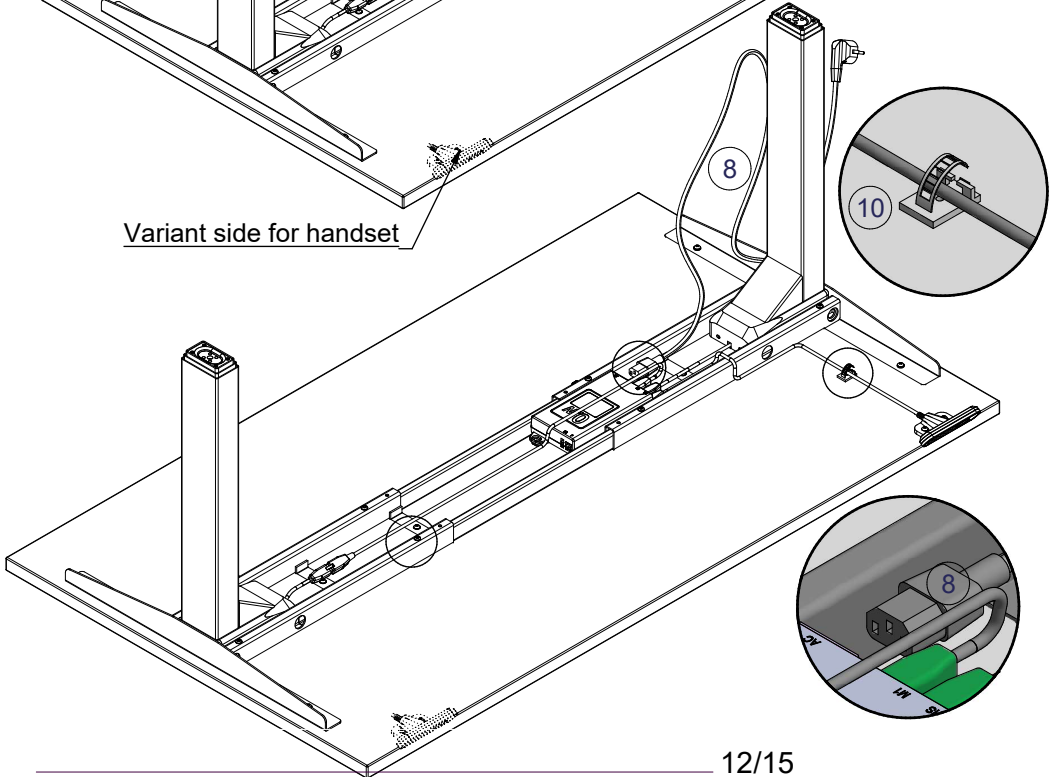


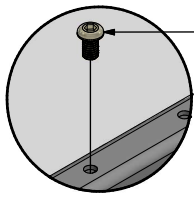
7





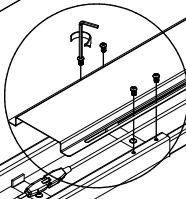
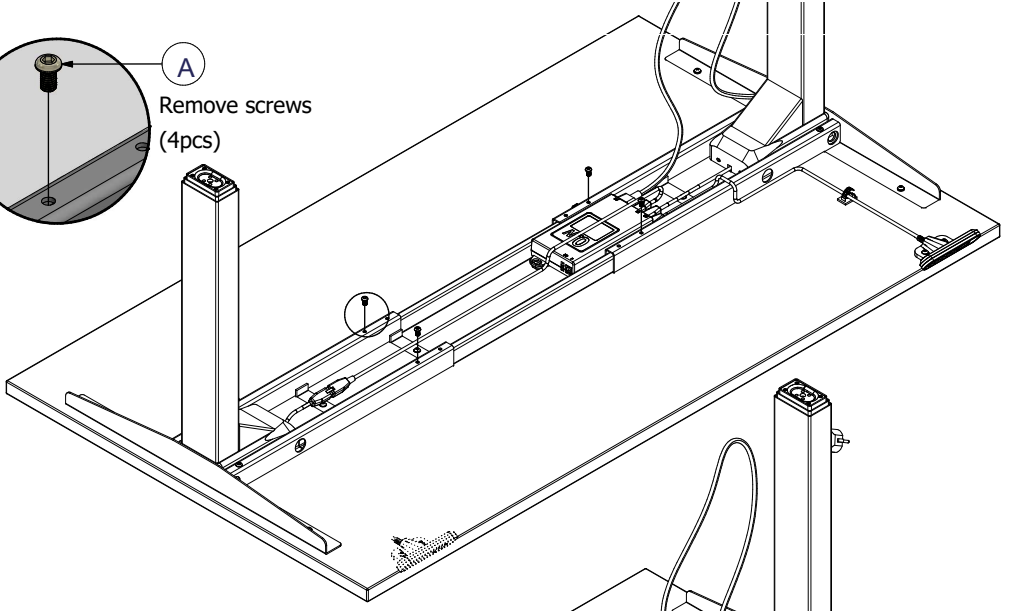
Variant side for handset



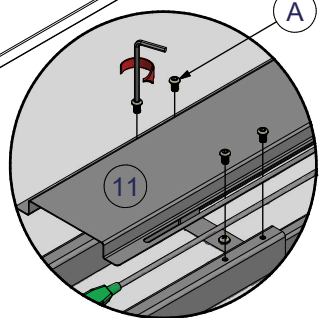
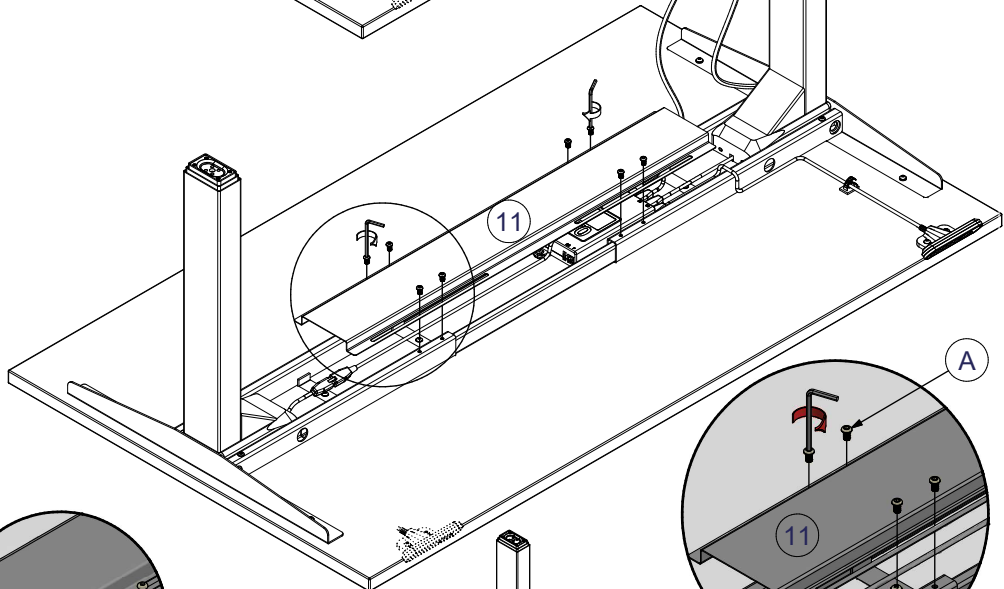


A

Remove screws
(4pcs)

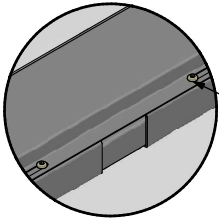


11

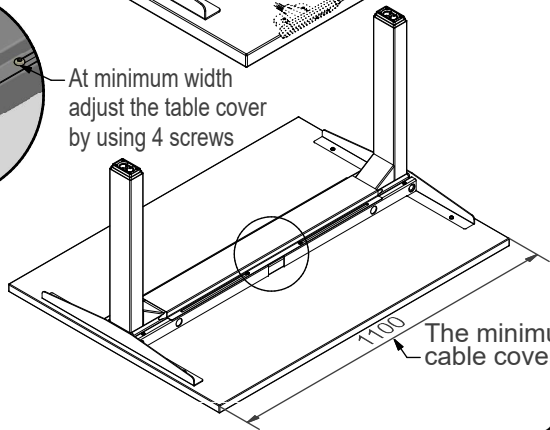


A

11

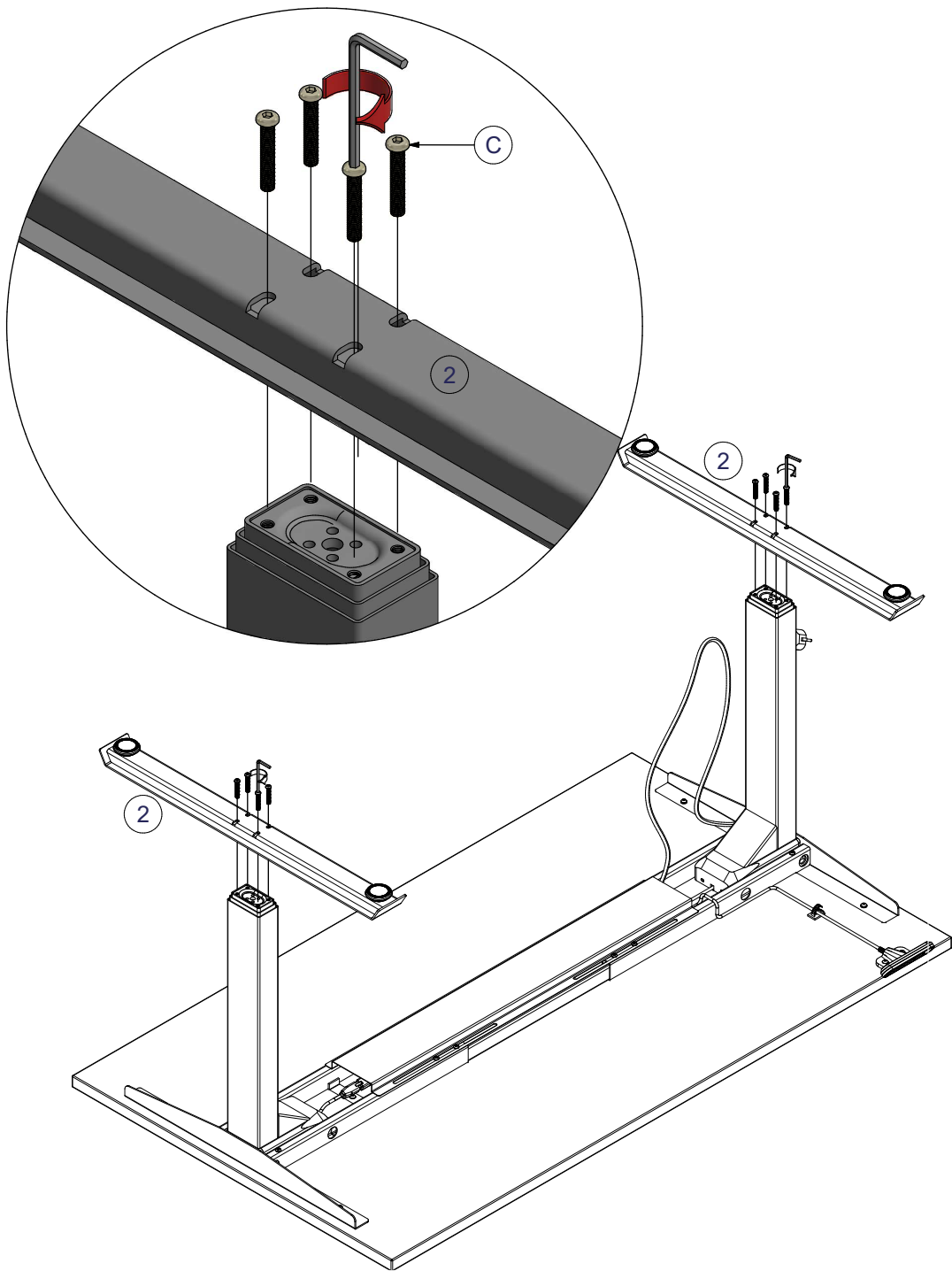


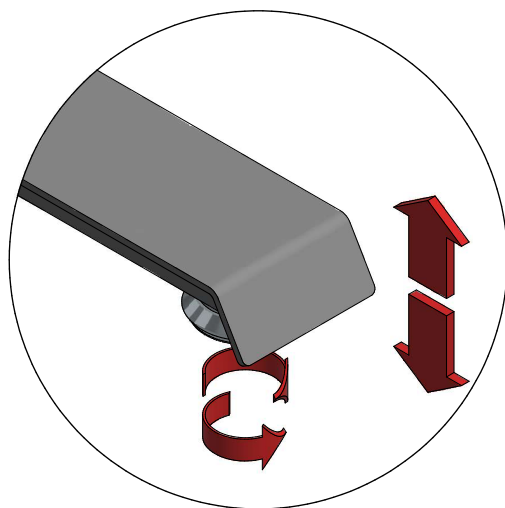
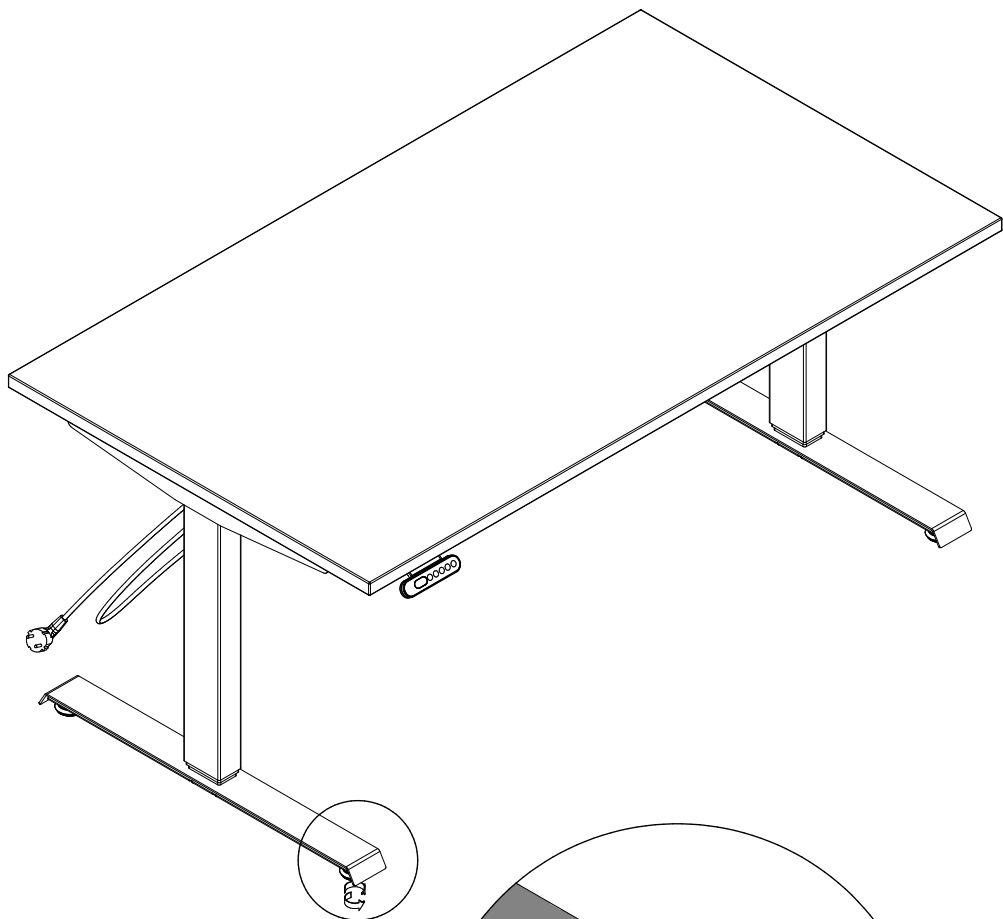
At minimum width
adjust the table cover
by using 4 screws



1100

The minimum width for
cable cover to use





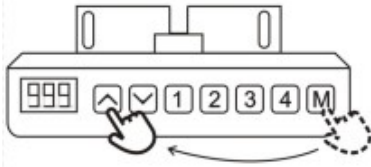
Pre-installed glides (adjust according to the floor)

Control box JC 4.1

- Program version advanced settings

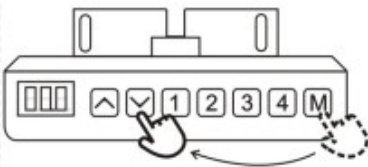
1. Adjust the maximum and the minimum height*

The primary setting for the frame height adjustment range is 62 – 127 centimeters. NOTE! If the frame needs reset/reset, it ALWAYS takes place with an adjustment range of 62 – 127 cm. If the minimum and maximum dimensions of the body height were different before the reset, they should be changed again.



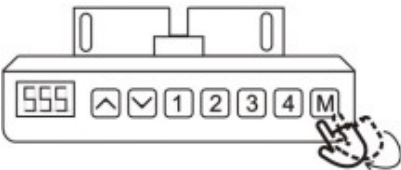
To Set the Upper-Limit Position:

Use the UP /DOWN buttons to move the base to the desired maximum-height position. Press the "M" button and release. Press the UP button and release. The LED display will flash "S -". Press and hold the "M" button (about 2 seconds) until the LED display changes to "999". The display will automatically return to the selected height. The new upper limit is now set.



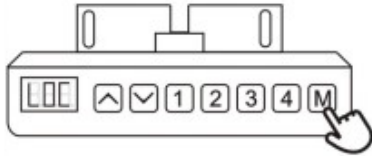
To Set the Lower-Limit Position:

Use the UP /DOWN buttons to move the base to the desired minimum-height position. Press the "M" button and release. Press the DOWN button and release. The LED display will flash "S -". Press and hold the "M" button (about 2 seconds) until the LED display changes to "000". The display will automatically return to the selected height. The new lower limit is now set.



To Remove the Upper/Lower Limit Positions:

Press and hold the "M" button until the LED display flashes "S -" and then release it. Within 5 seconds, press the "M" button again and hold for 2 seconds. The LED display will change to "555" and then automatically return to the height display. The upper and lower limits are now removed.



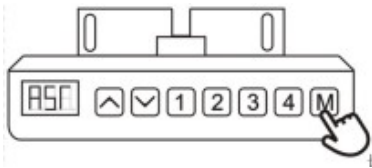
2. HANDSET LOCK

To lock the handset:

Press and hold the "M" button (about 8 seconds) until the LED display switches to "S -" and then to "LOC." Release the button.

To unlock the handset:

Press and hold the "M" button (about 8 seconds) until the LED switches from "LOC" to the height display. Release the button.

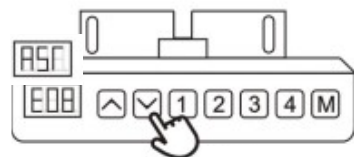


3. SETTING THE LED RETRACTED HEIGHT

Press the DOWN button on the Handset until the base reaches its lowest position. Measure the distance from floor to the top surface of the desktop. If the number on the LED display does NOT match your measurement, follow these steps:

Press and hold the DOWN button until the LED display reads "RST".

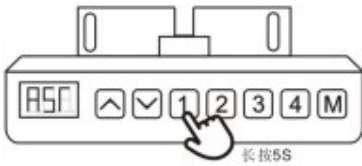
Press and hold the "M" button (about 5 seconds) until the LED displays the flashing height. (If the display returns to "RST" before the next step is taken, repeat this step.) Use the UP /DOWN buttons to change the value of the starting height so that it matches your measurement. Wait about 5 seconds and the display will return to "RST."



4. RESET PROCEDURE:

If the LED readout displays an error message ("E1" - "E13 ") confirm that all wired connections are secure (legs to cables, cables to control box).

Press and hold the DOWN button on the Handset until the desk reaches its lowest height. Release the DOWN button. Press and hold the DOWN button again until the LED display reads "RST" or about 10 seconds on non-LED handset models. Release the DOWN button. Press and hold the DOWN button again until the desk lowers a little bit more, slightly rises and stops. Release the DOWN button. Your desk is now ready to use.



5. Programming

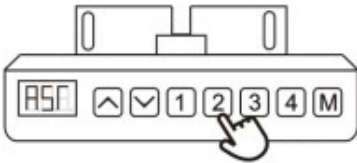
Press the DOWN button on the Handset until the base reaches its lowest position. Press and hold the DOWN button again until the LED display reads "RST". Press and hold the button (about 5 seconds) while the LED flashes "RST" and then switches to either:

- 10.1 = One-touch
- 10.2 = Constant-Touch

Release the 1 button. Press the 1 button again until the desired setting is reached. Once the chosen setting is displayed, release the button and wait about 5 seconds for the display to return to "RST". Finish the reset process (4.).

The LED display reads:

- '10.1' = One touch
- '10.2' = Constant-touch



6. Changing inches to centimeters

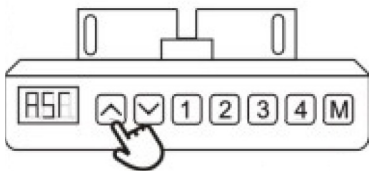
Press the DOWN button on the Handset until the base reaches its lowest position. Press and hold the DOWN button again until the LED display reads "RST". Press and hold the 2 button (about 5 seconds) while the LED flashes "RST" and then switches to either:

- 10.3 = cm
- 10.4 = inches

Release the 2 button. Press and hold the 2 button again until the desired setting is reached. Once the chosen setting is displayed, release the button and wait about 5 seconds for the display to return to "RST". Finish the reset process (4.).

The LED display reads:

- '10.3' = cm
- '10.4' = inches



7. Changing anti-collision sensitivity

Press the DOWN button on the Handset until the base reaches its lowest position. Press and hold the DOWN button again until the LED display reads "RST".

Press and hold the UP button (about 5 seconds) while the LED flashes "RST" and then switches to either:

- 10.5 = 10 kg pressure (most sensitive)
- 10.6 = 15 kg pressure (middle setting)
- 10.7 = 20 kg pressure (least sensitive)

Release the UP button. Press and hold the UP button again until the desired setting is reached. Once the chosen setting is displayed, release the button and wait about 5 seconds for the display to return to "RST".

Finish the reset process by pressing and holding the DOWN button until the desk lowers a little bit more, slightly rises and stops.

Sensitivity

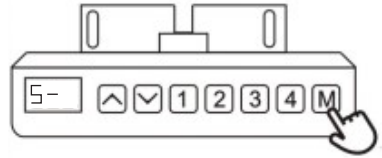
- '10.5' = 10 kg (most sensitive)
- '10.6' = 15 kg (middle setting)
- '10.7' = 20 kg (least sensitive)

8. Height memory programming:

The desk base can be adjusted by pressing and holding either the UP or DOWN button until the desired height is reached.

To program up to four presets (on some models): Use the up/down buttons to find a desired height, then press "M" followed by a number 1 - 4.

CAUTION: Once a preset button is pushed, the desk will move to the programmed height (see caution box above).



Benefits of using a memory program:

- Table users of different heights can deposit a suitable working height for each.
- Different work tasks require different heights.
- To facilitate changing the working position.

MAKE SURE THERE IS SPACE AROUND THE TABLE (ON THE SIDES, BELOW AND ABOVE).

Anti-collision gets activated when the table hits an obstacle.

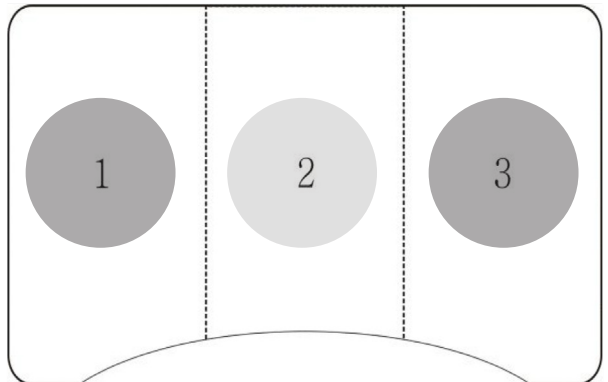
The collision prevention is located in the control box.

It should be placed properly, that the box does can't shake and causing the activation of anti-collision.

Sensitivity of anti-collision on zones 1-3.

The sides of the deck (zones 1 and 3) are more sensitive than the center of the tabletop.

Zone	Sensitivity
1	10 kg
2	20 kg
3	10 kg



BeActive Troubleshooting

- Check all connections that are in the bottom and correctly closed.
- The wires are secured under the cover and cannot swing to activate the anti-collision.
- Unplug the power cord and plug it back in.
- Change the ports on the lifting column connectors.
- If the frame does not move downwards, perform a reset.
- If E07-E09 is shown on the display of the handset, perform a reset.
- Check that the control unit is attached to the upper frame by the rails so that it does not activate the anti-collision when swinging.
- If the lifting pillar makes a rattling sound, check the screw length lifting when fixing the pillars. Correct size M6x10mm.
- resetting the table (you should be patient here). Press the button at the bottom until it starts moving, about 30 sec.).
- This step may need to be repeated several times. Next, push the table to the lowest possible height. Release your finger from the button and press down on the bottom of the controller. After this, the letter combination RST appears on the screen. Release your finger from the controller and press it down on the bottom, pulling the controller.
The RST letter combination should disappear, and the table should shake slightly. The table should now be at its lowest height, and the display should show a height reading.

Great, you managed to reset
and the table should work
correctly!

Instructive videos:

Assembly video:

<https://www.youtube.com/watch?v=UBFCmcrpu4A>

More help:

hello@allithatoasztal.hu