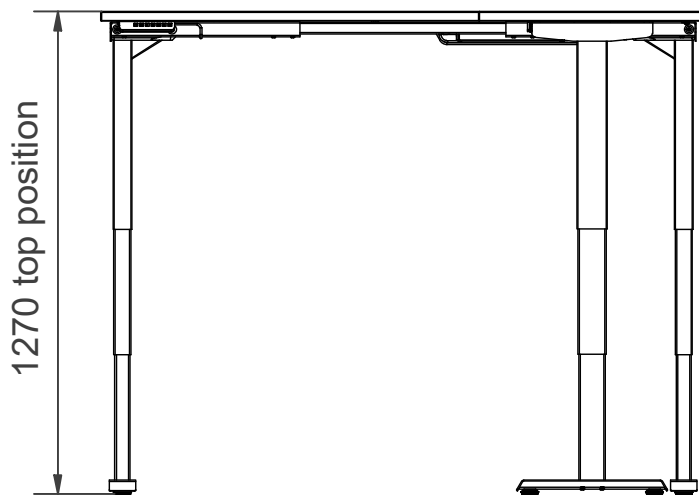
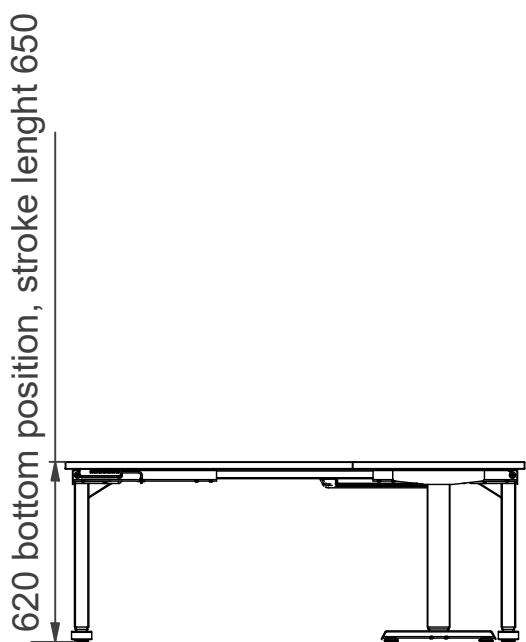
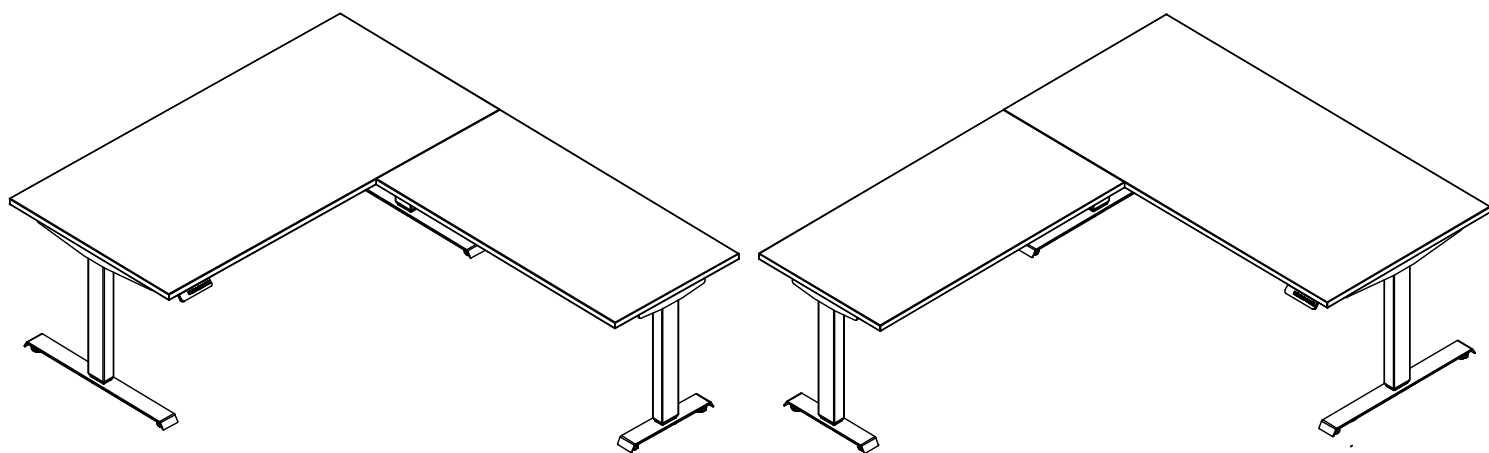


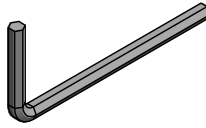
Assembly & use instructions

BeActive Pro electric table



Parts and accessories packing 1 (BeActive):

Tools needed:



Allen wrench 4mm

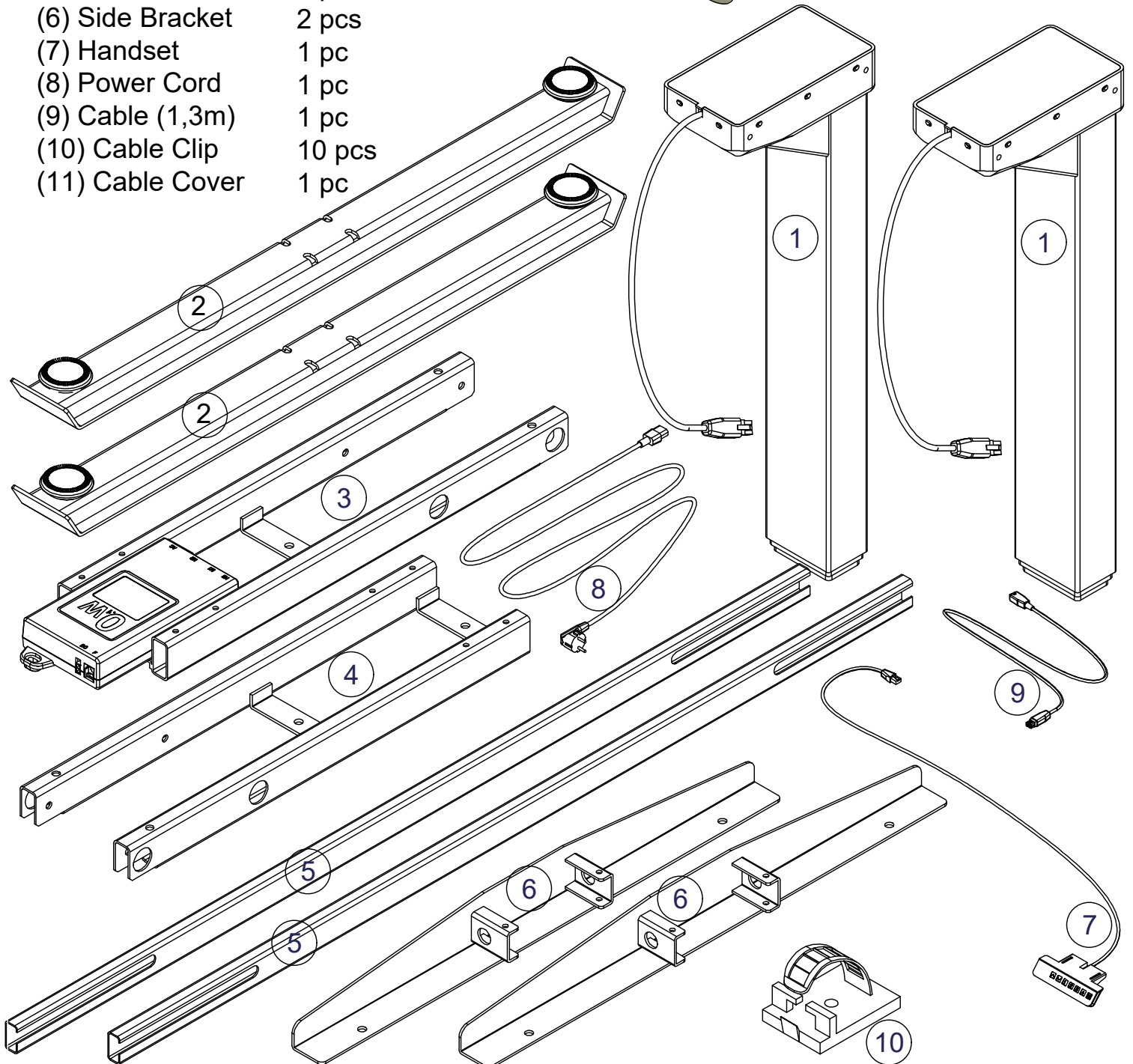
Tape measure (not included)

Phillips screwdriver (not included)

The desktop is not included in delivery!

- | | |
|-------------------|----------------------|
| (1) Leg | 2 pcs |
| (2) Foot Part | 2 pcs |
| (3) Upper Frame A | 1 pc (+ Control Box) |
| (4) Upper Frame B | 1 pc |
| (5) Center Rail | 2 pcs |
| (6) Side Bracket | 2 pcs |
| (7) Handset | 1 pc |
| (8) Power Cord | 1 pc |
| (9) Cable (1,3m) | 1 pc |
| (10) Cable Clip | 10 pcs |
| (11) Cable Cover | 1 pc |

- | | | |
|----------|--|--------------------------|
| A | | 16x machine screw KM6x10 |
| B | | 4x machine screw KM6x14 |
| C | | 8x machine screw KM6x35 |
| D | | 2x wood screw K5x16 |
| E | | 7x wood screw K5x20 |



Parts and accessories packing 2 (UPGRADE KIT):


Tools needed:


Allen wrench 4mm

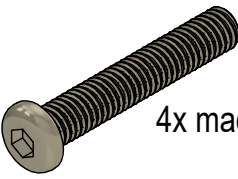
Tape measure (not included)

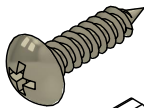
Phillips screwdriver (not included)

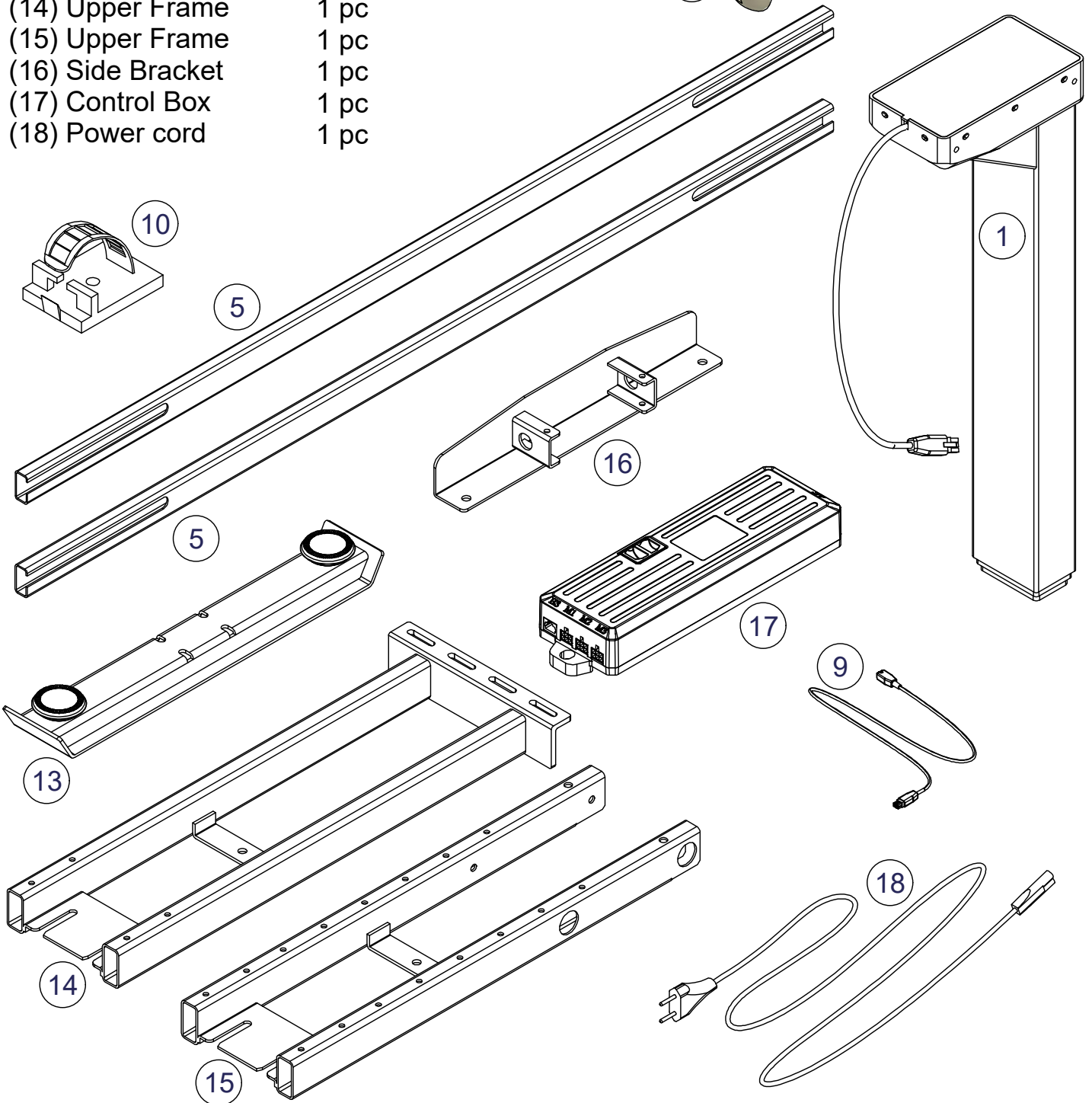
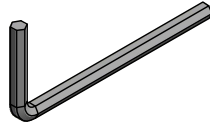
- | | |
|-------------------|-------|
| (1) Leg | 1 pc |
| (5) Center Rail | 2 pcs |
| (9) Cable | 1 pc |
| (10) Cable Clip | 6 pcs |
| (13) Foot part | 1 pc |
| (14) Upper Frame | 1 pc |
| (15) Upper Frame | 1 pc |
| (16) Side Bracket | 1 pc |
| (17) Control Box | 1 pc |
| (18) Power cord | 1 pc |

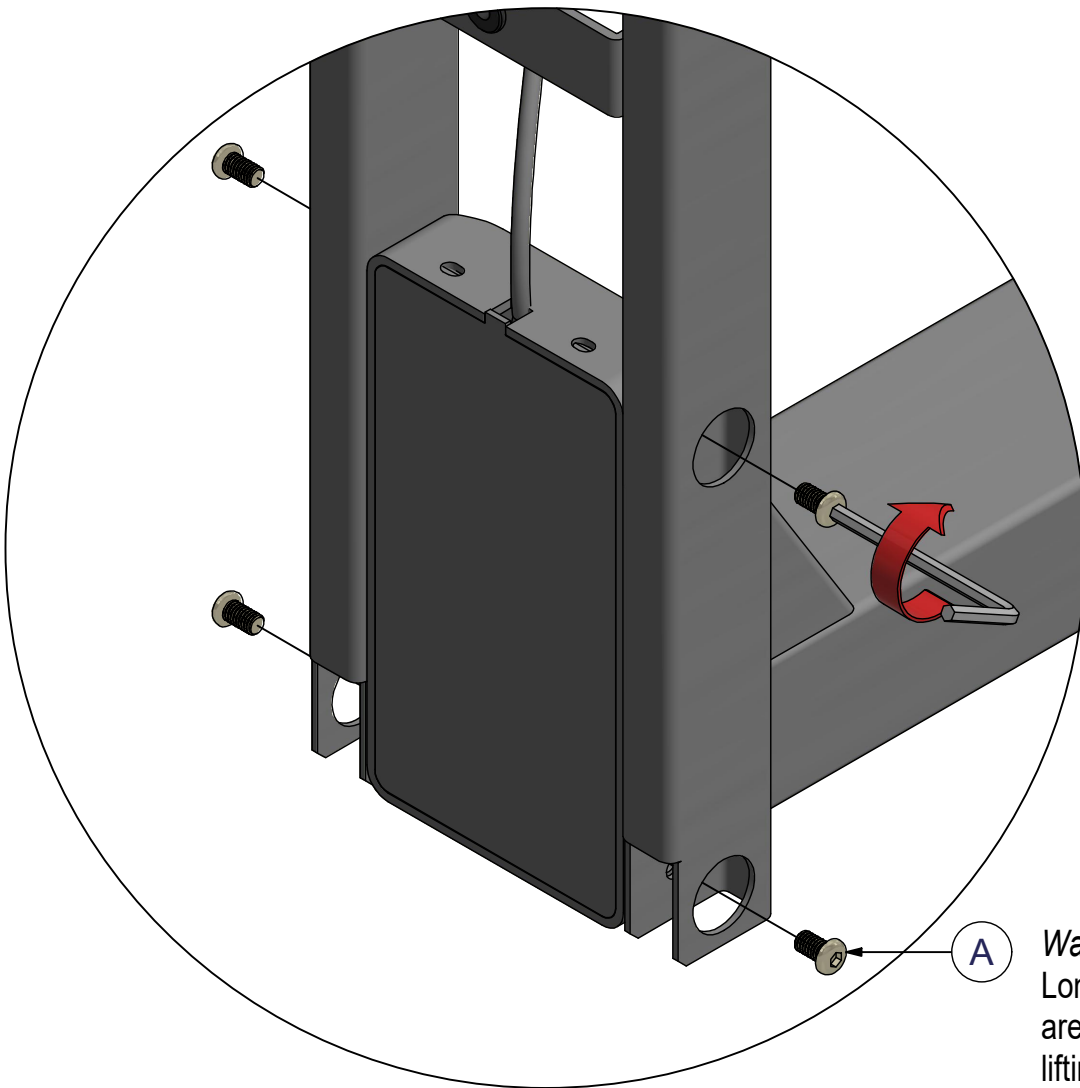
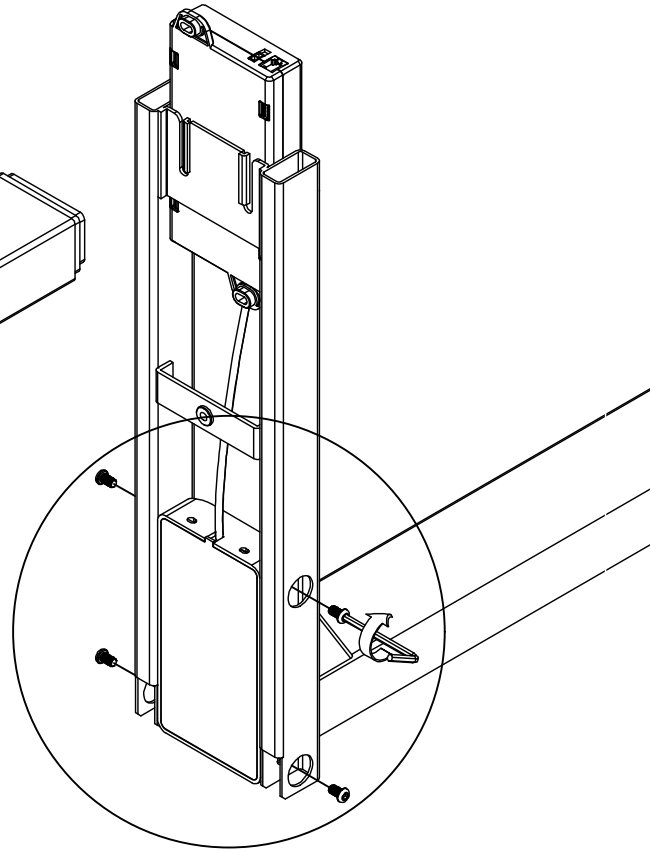
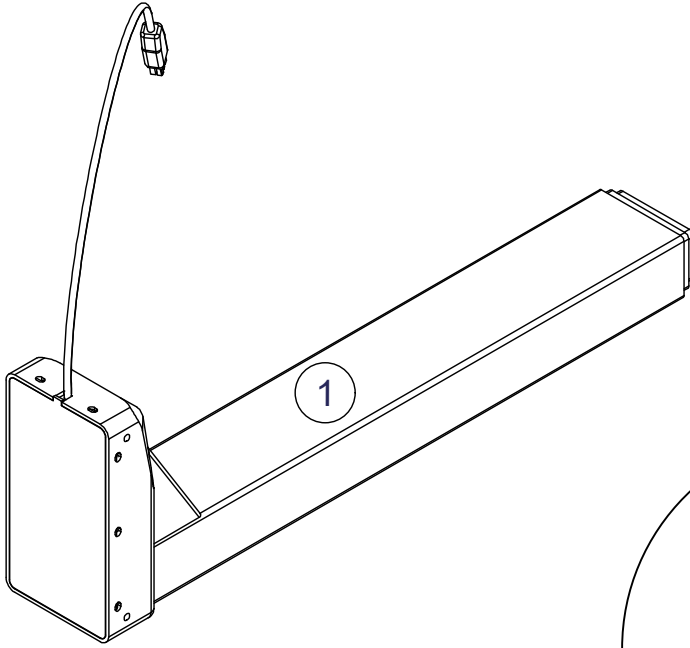
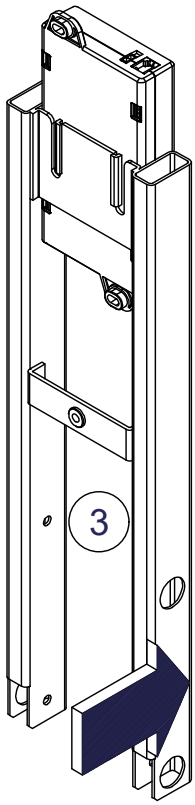
(A)  16x machine screw KM6x10

(B)  2x machine screw KM6x14

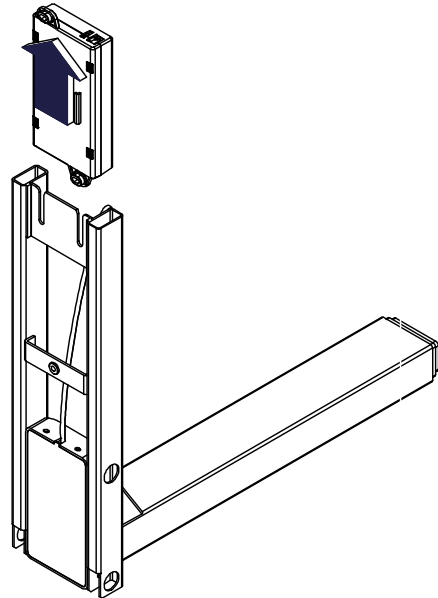
(C)  4x machine screw KM6x35

(E)  4x wood screw K5x20

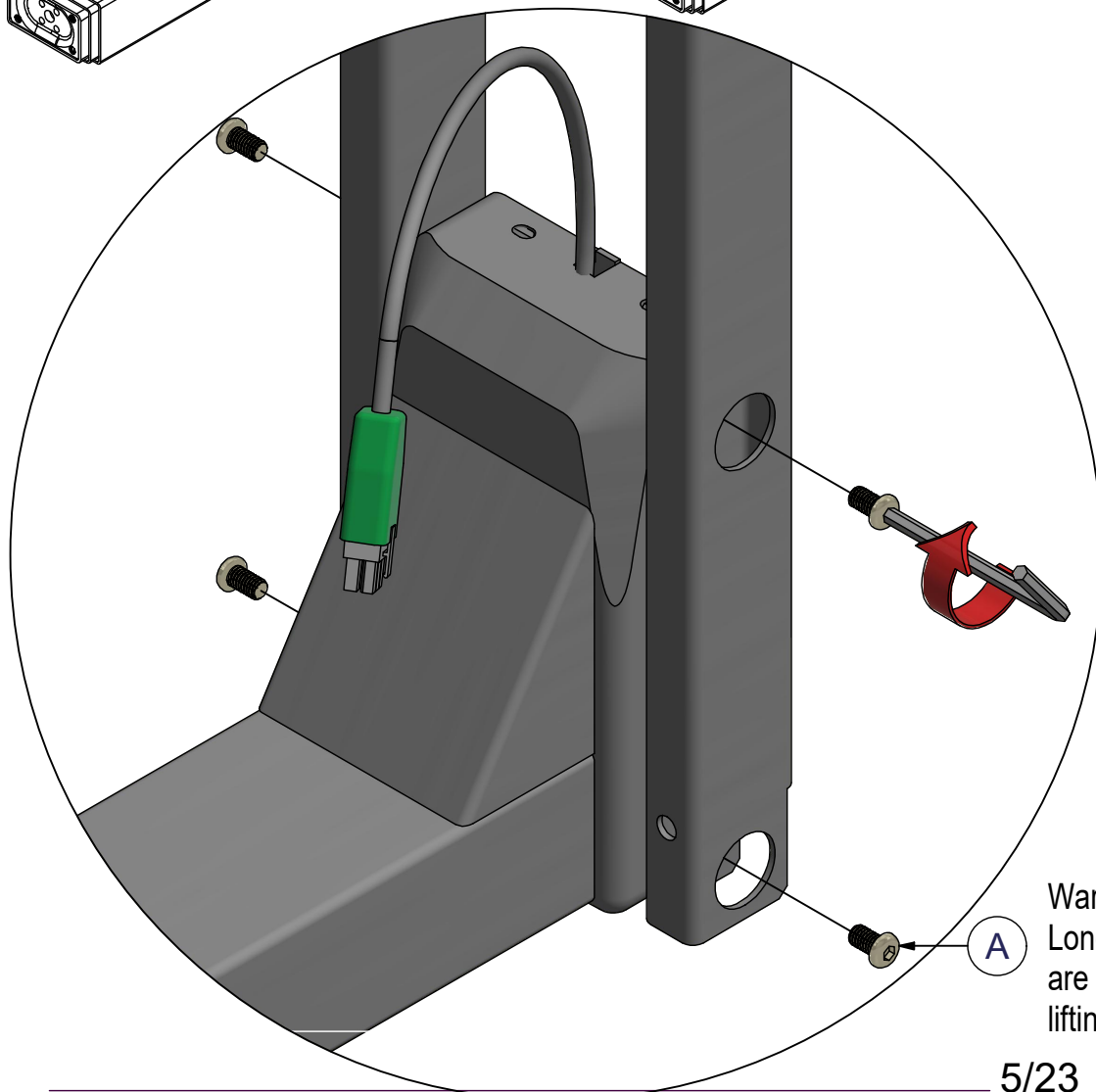
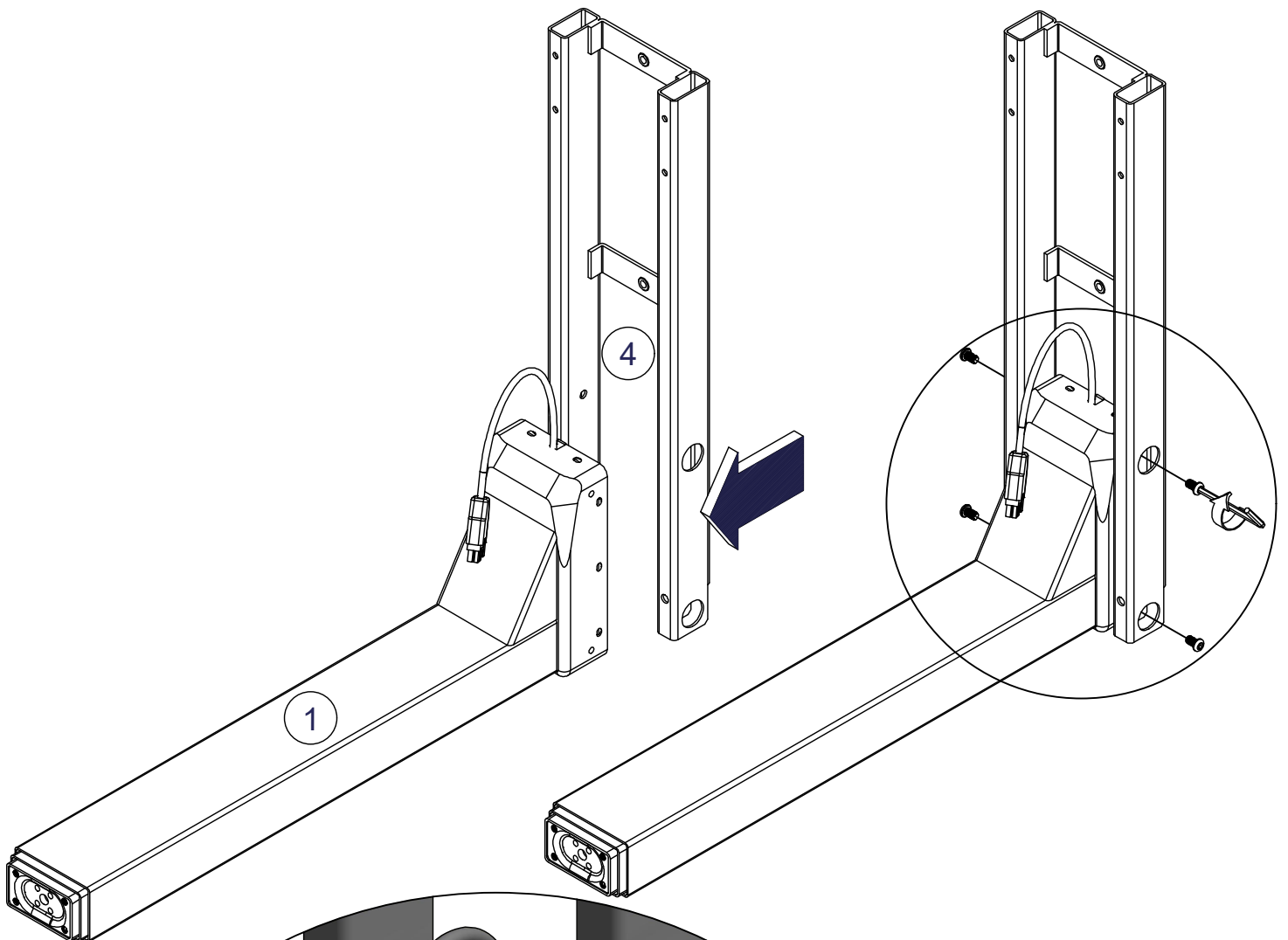




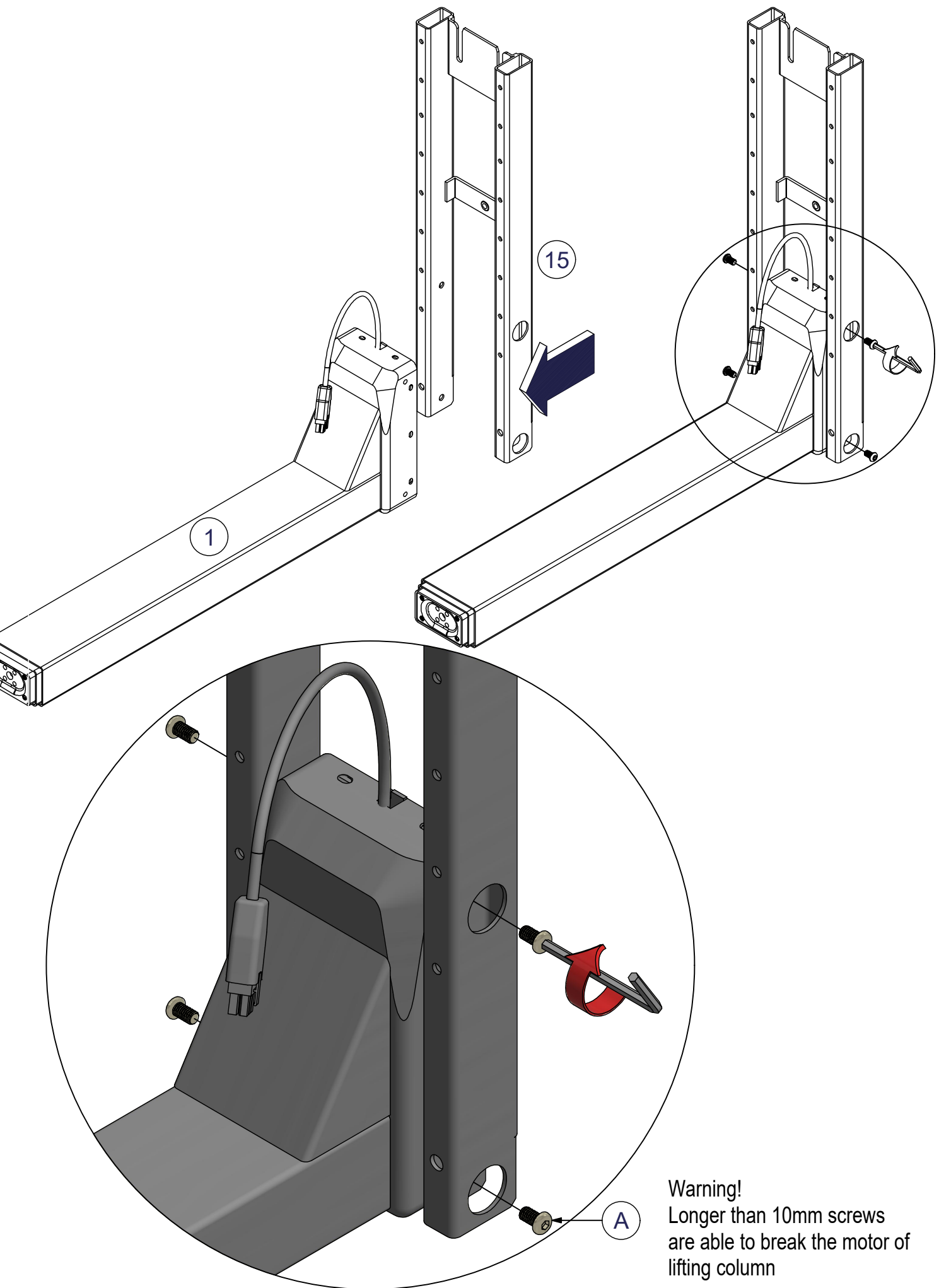
Remove the control box by dragging in the direction of the arrow.



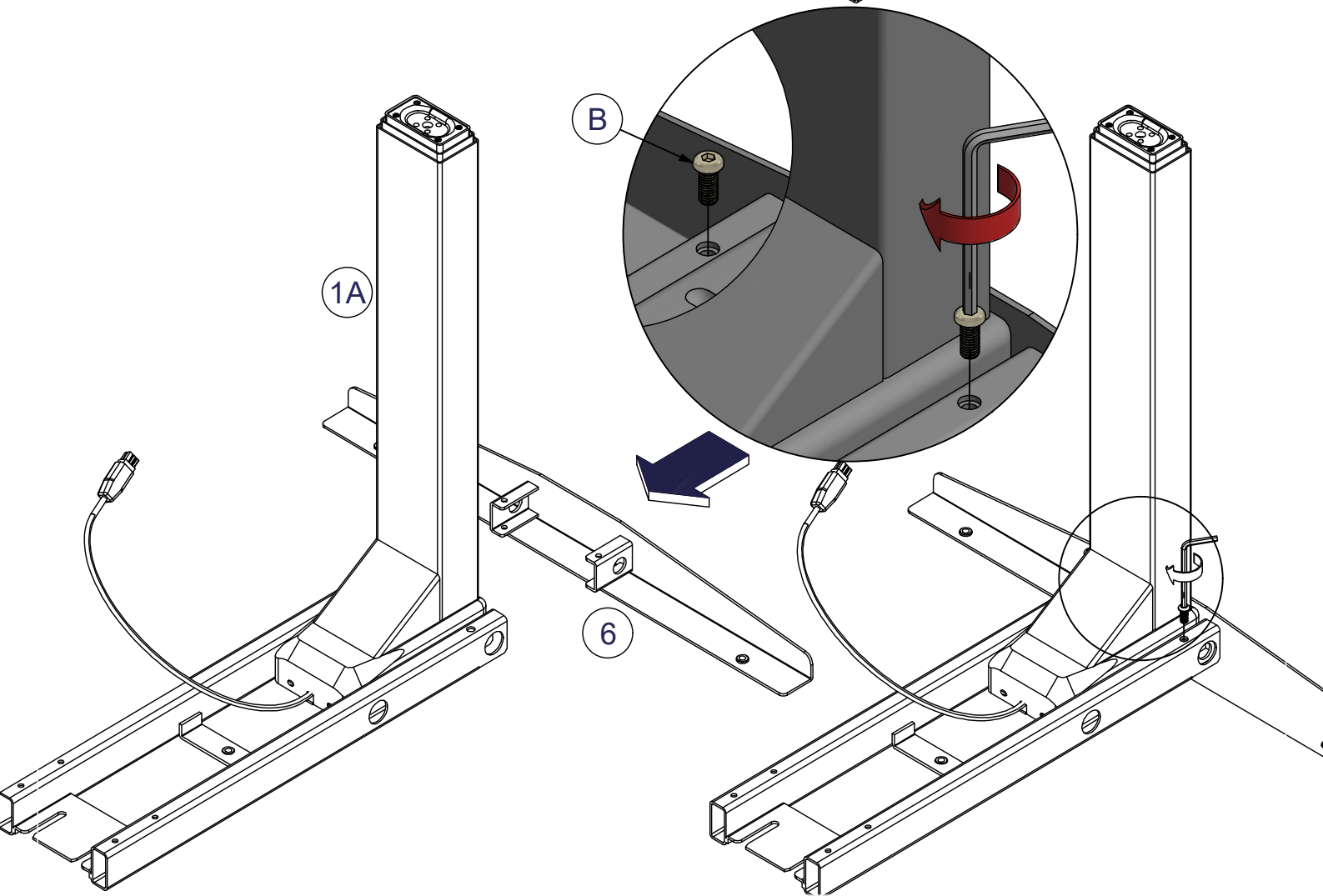
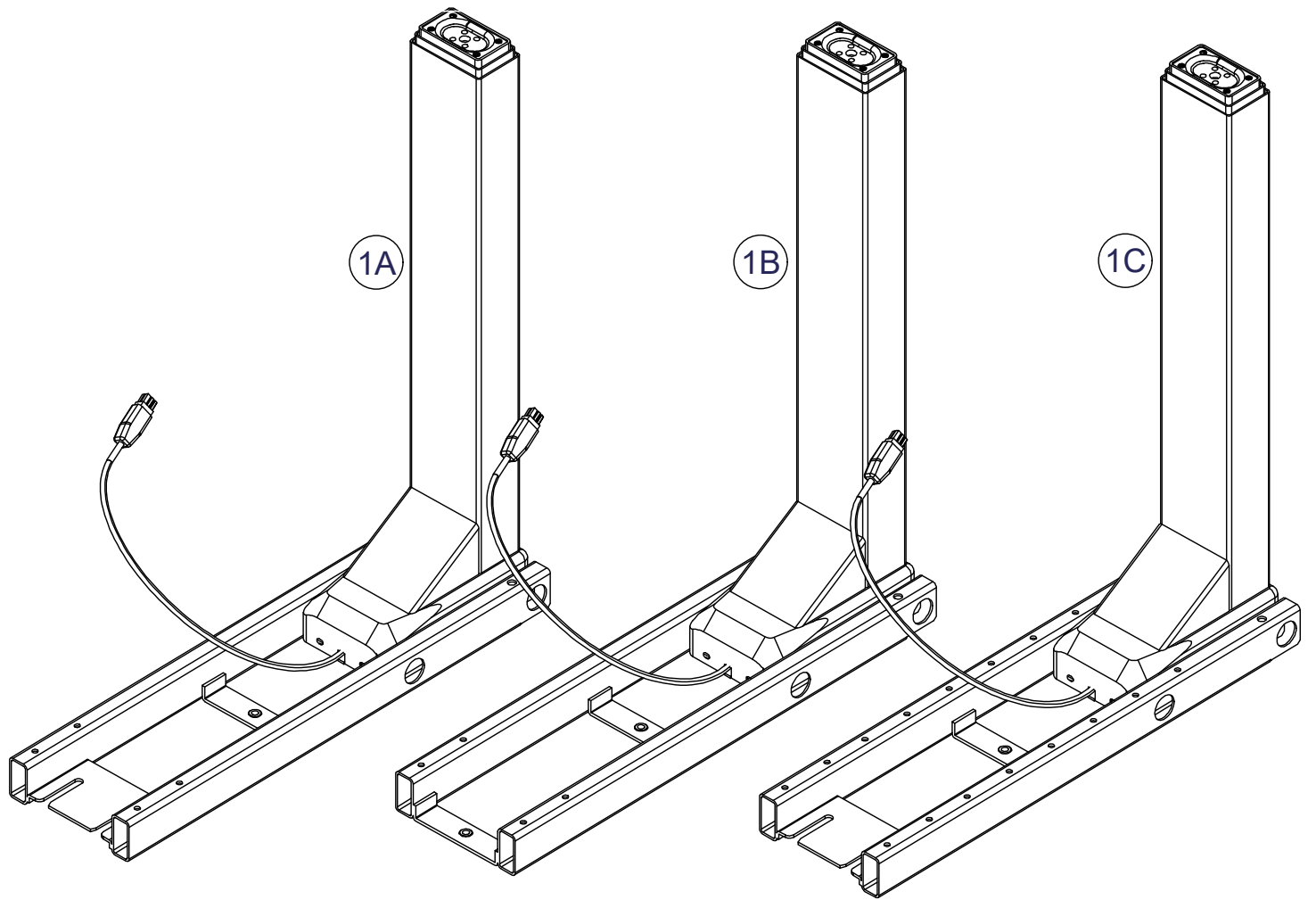
A *Warning!*
Longer than 10mm screws are able to break the motor of lifting column

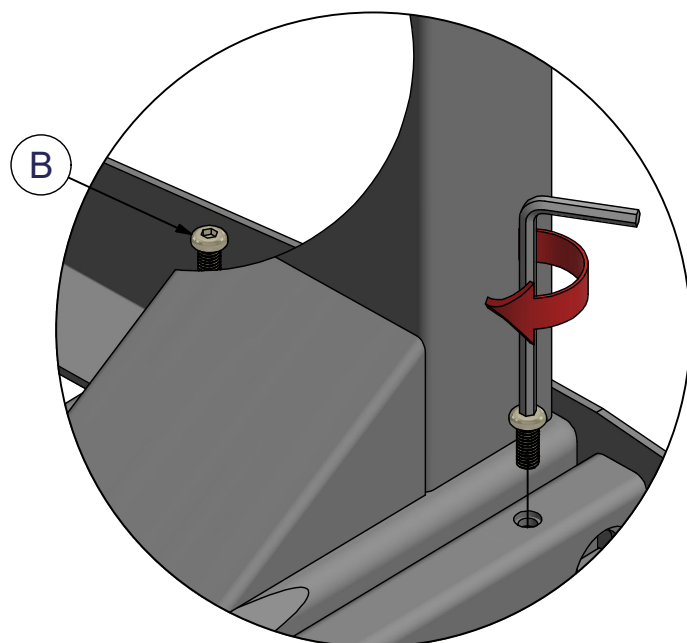
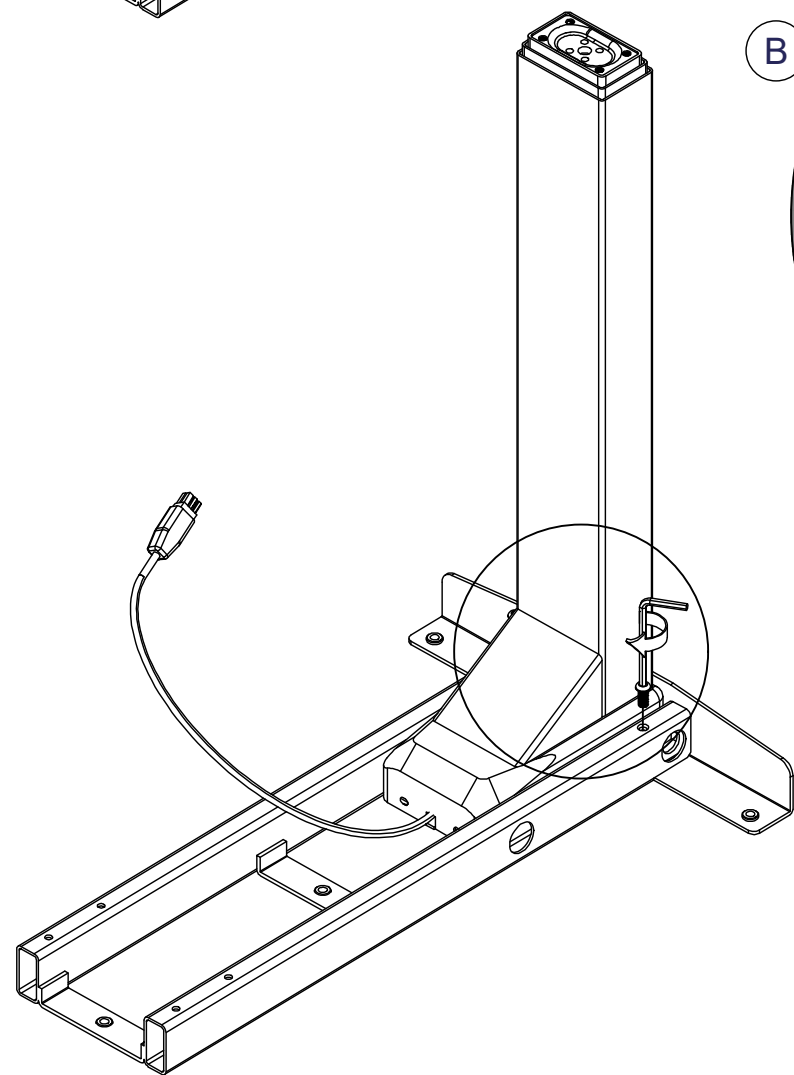
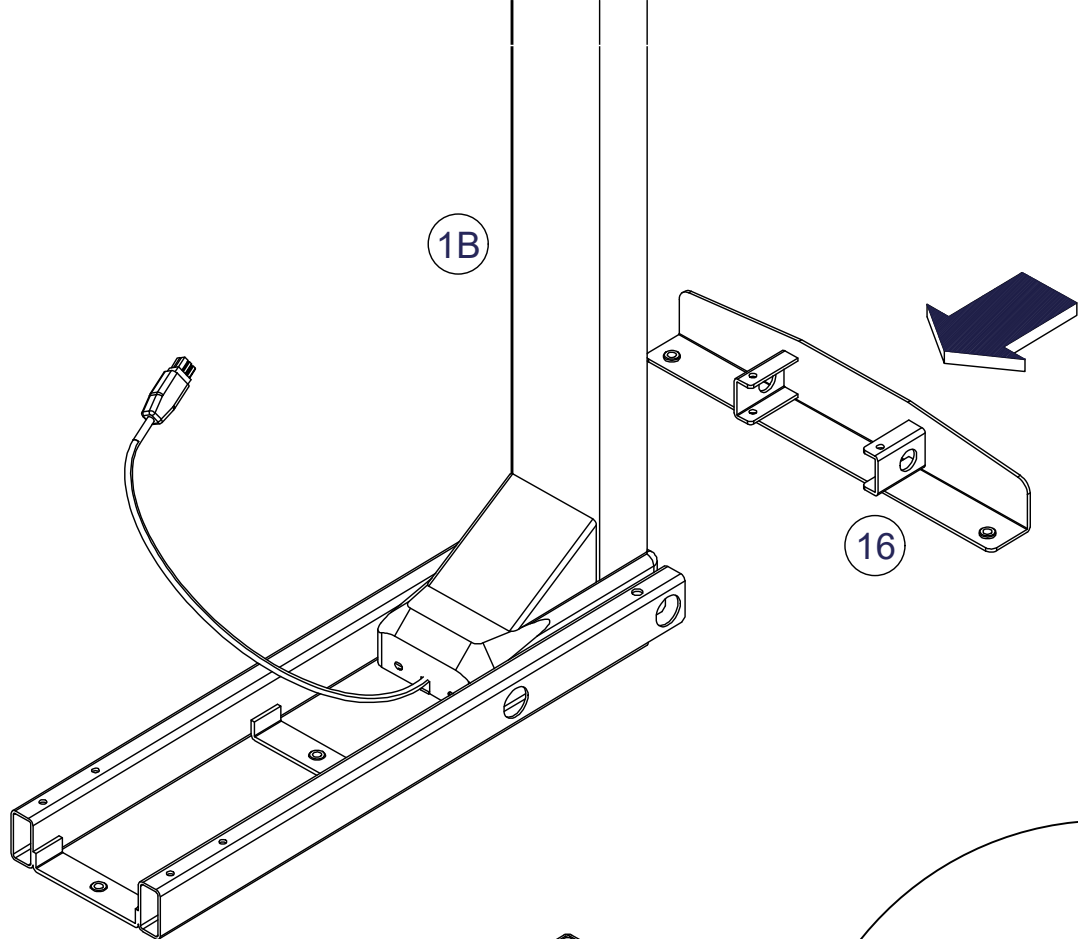


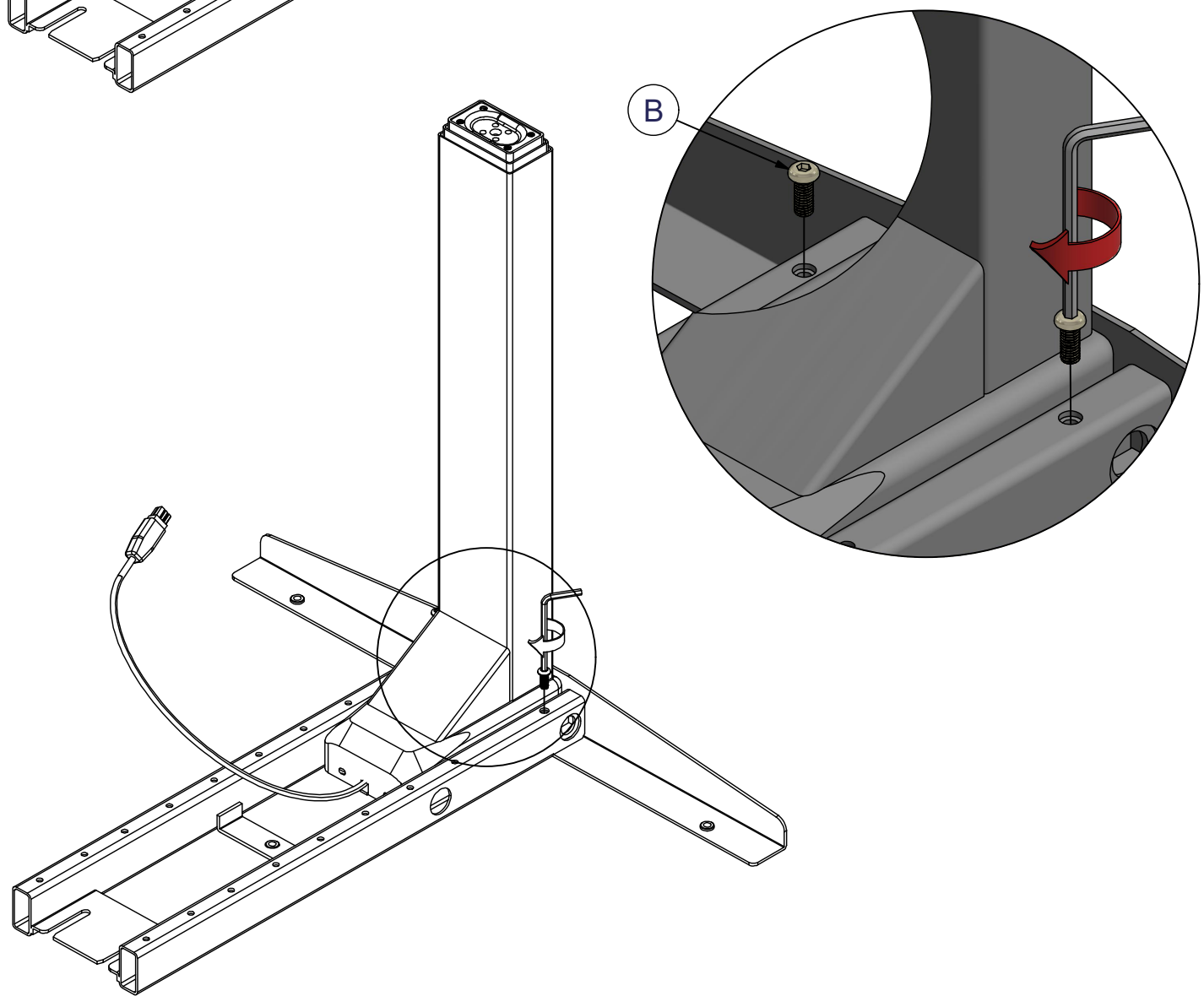
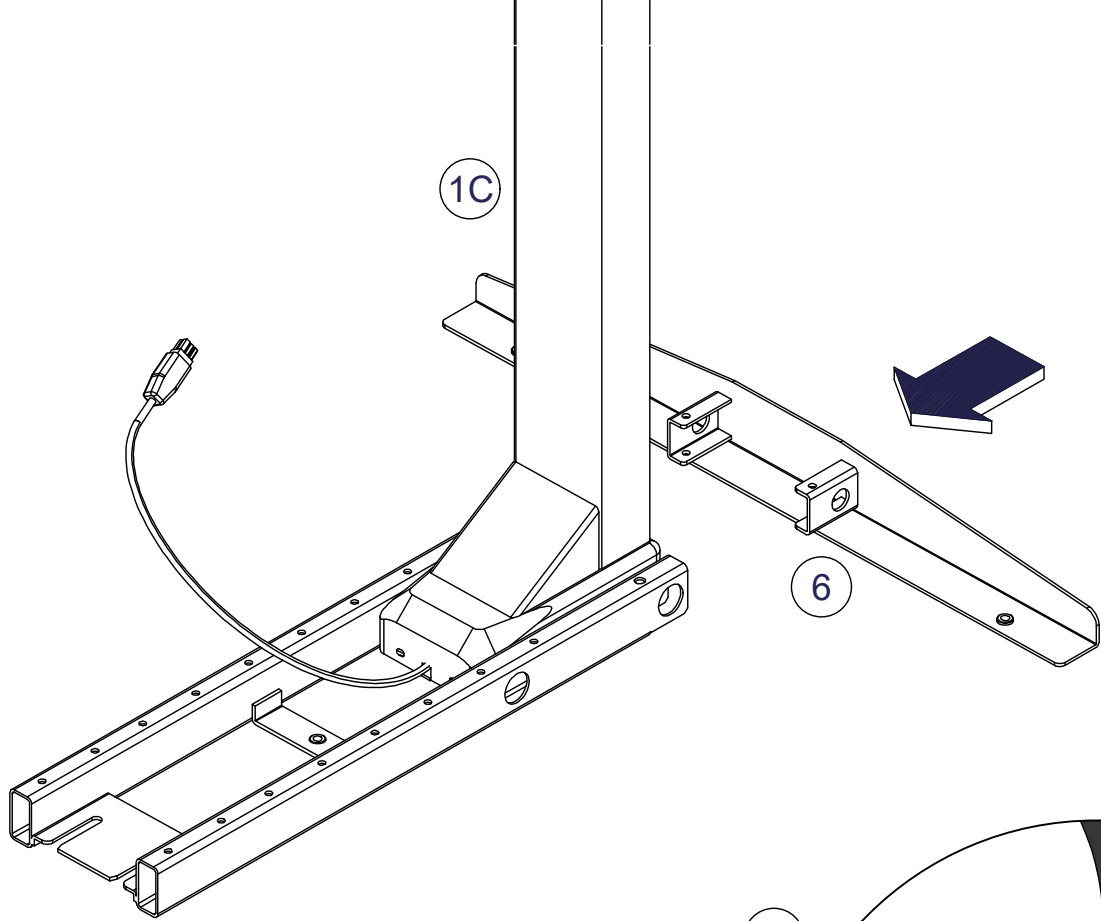
Warning!
Longer than 10mm screws
are able to break the motor of
lifting column

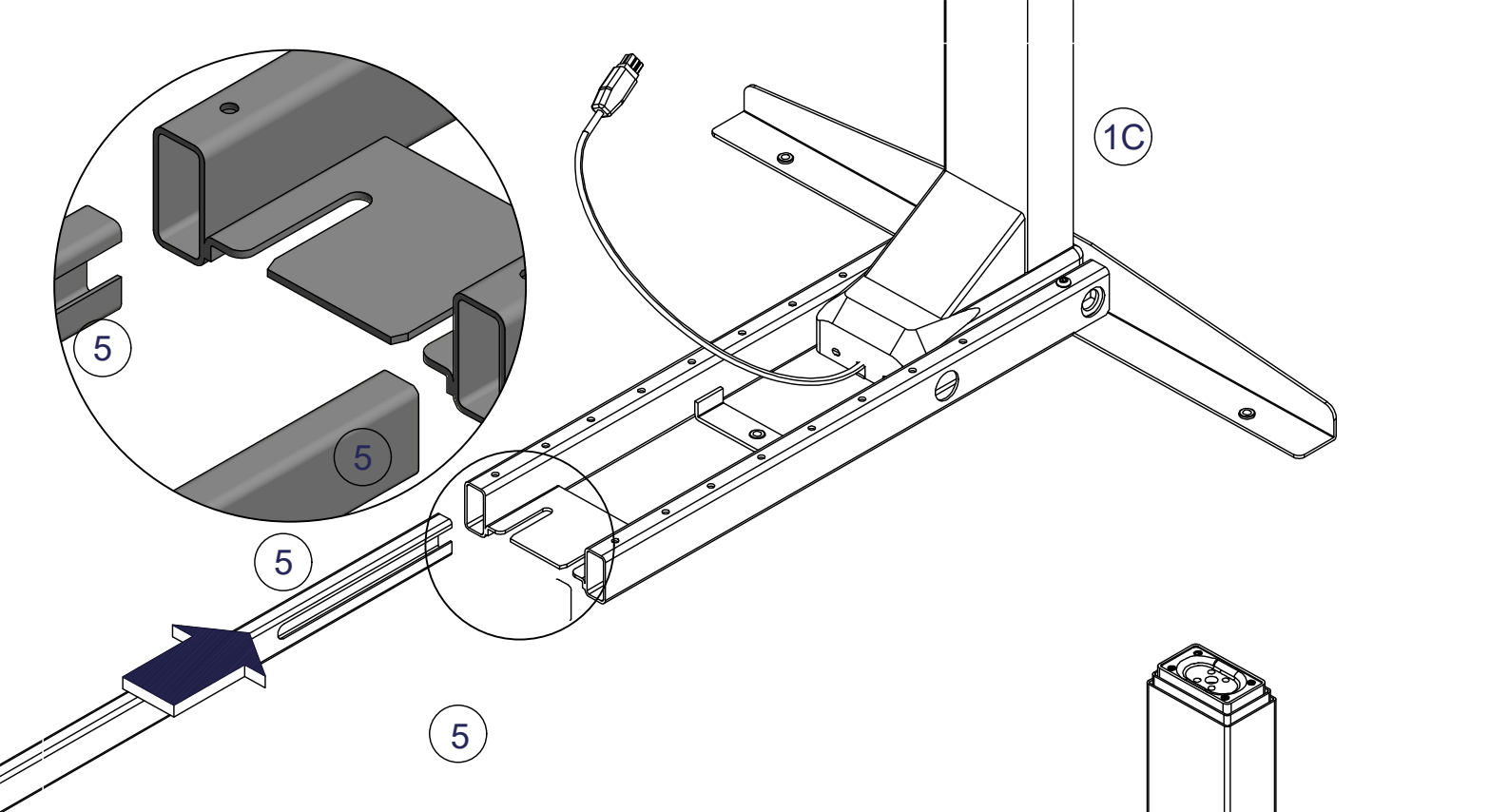


Warning!
Longer than 10mm screws
are able to break the motor of
lifting column

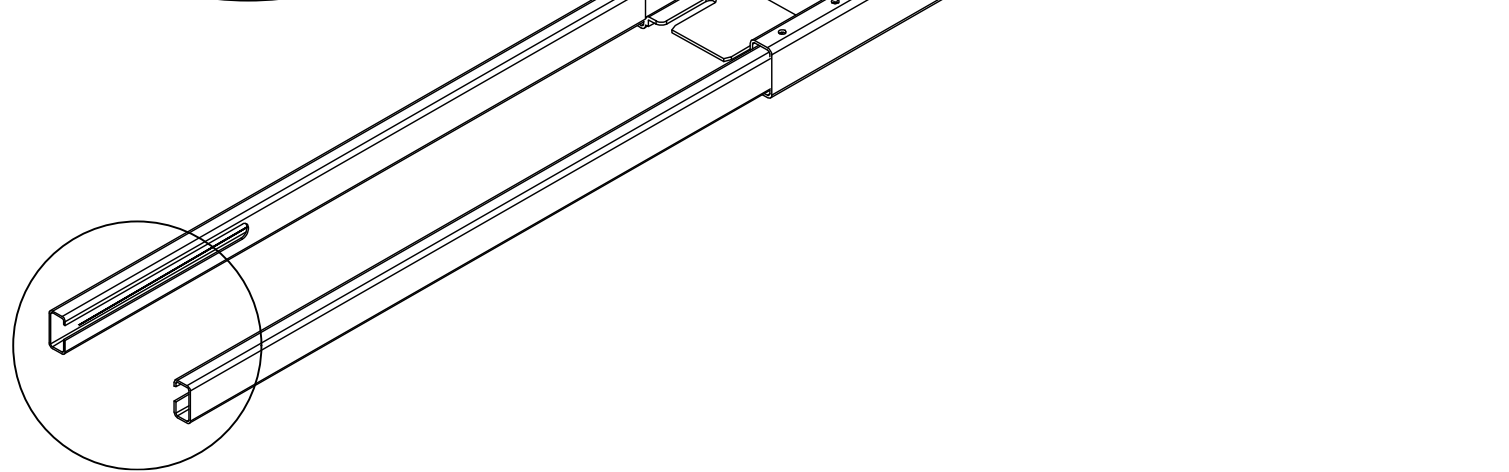
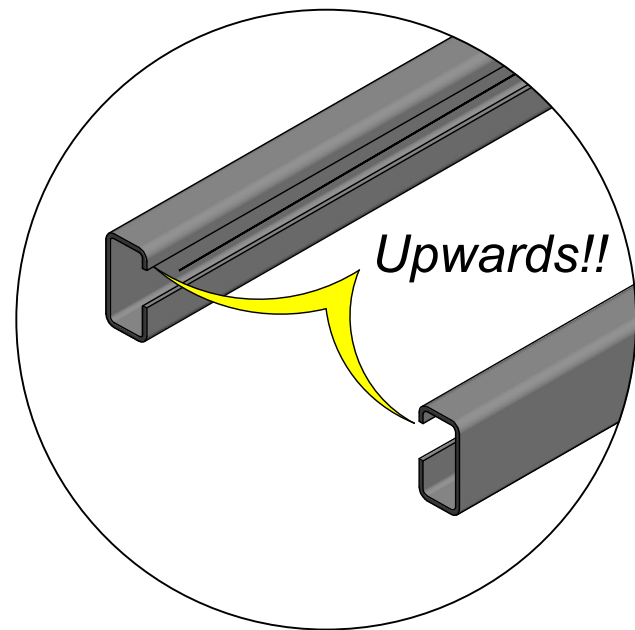


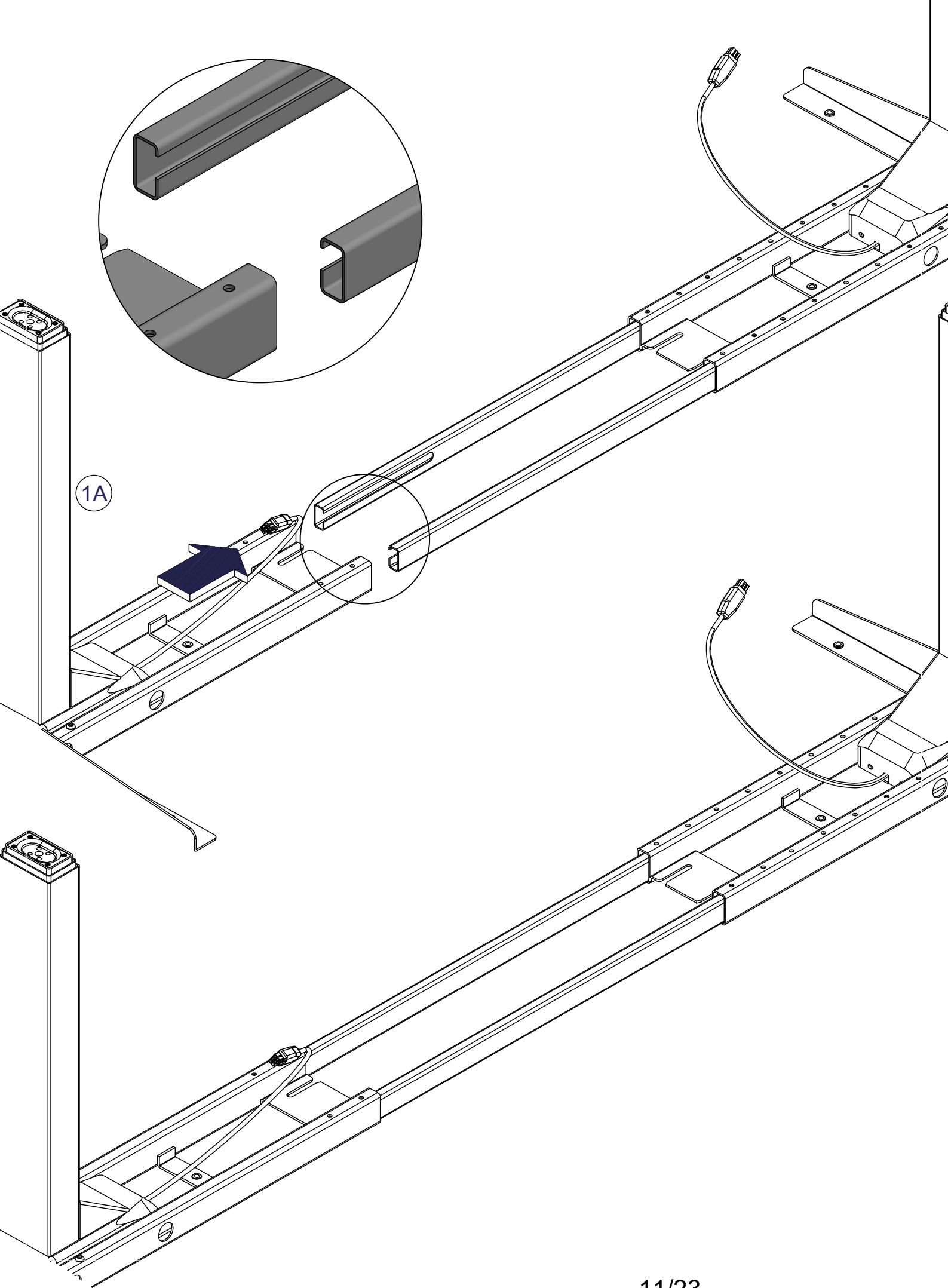




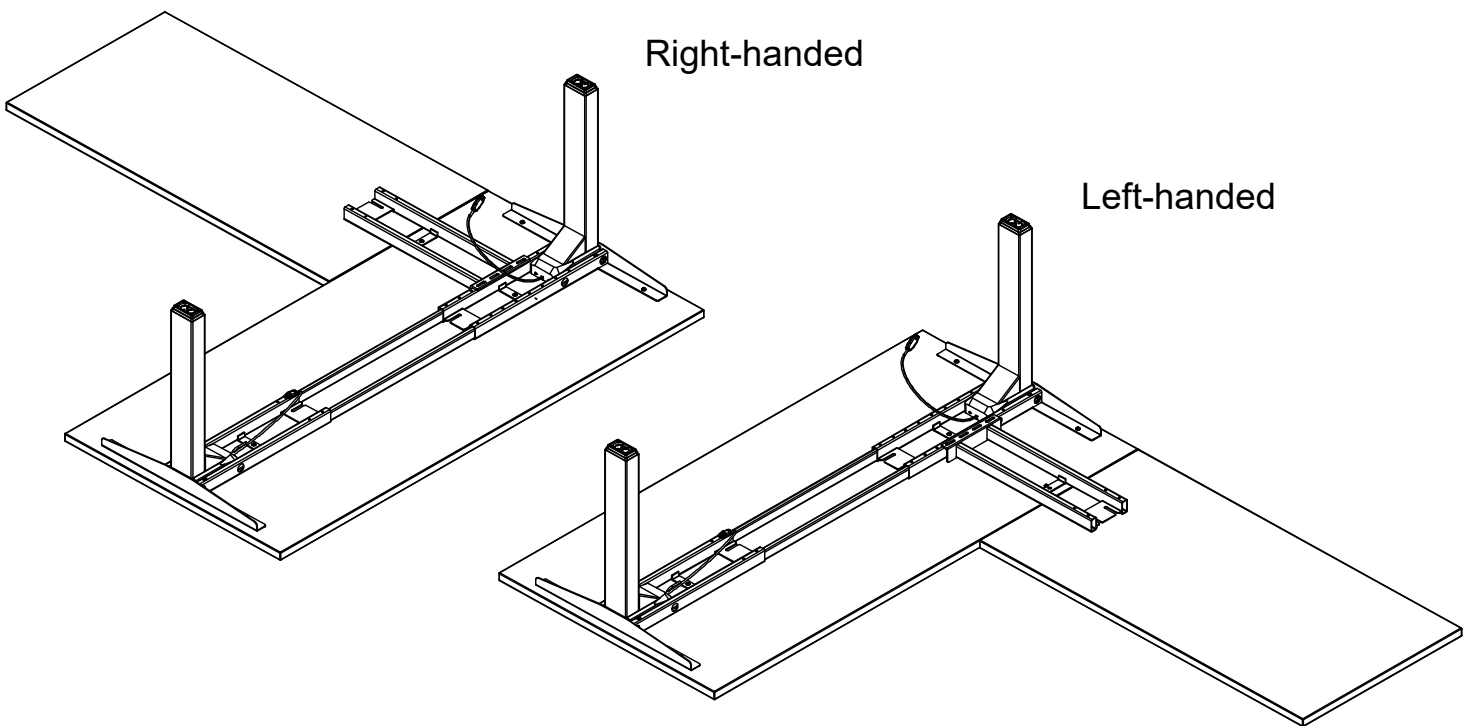
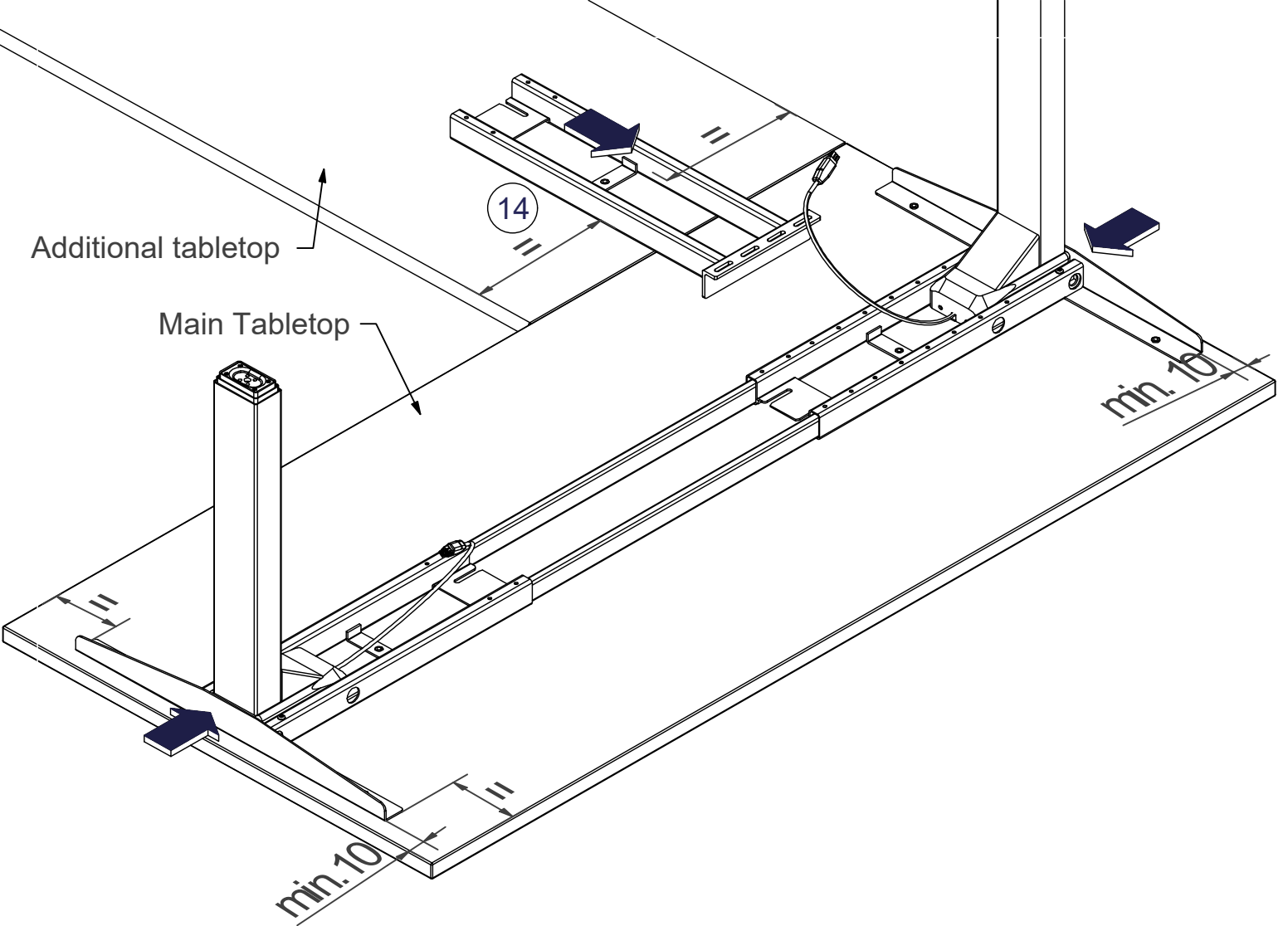


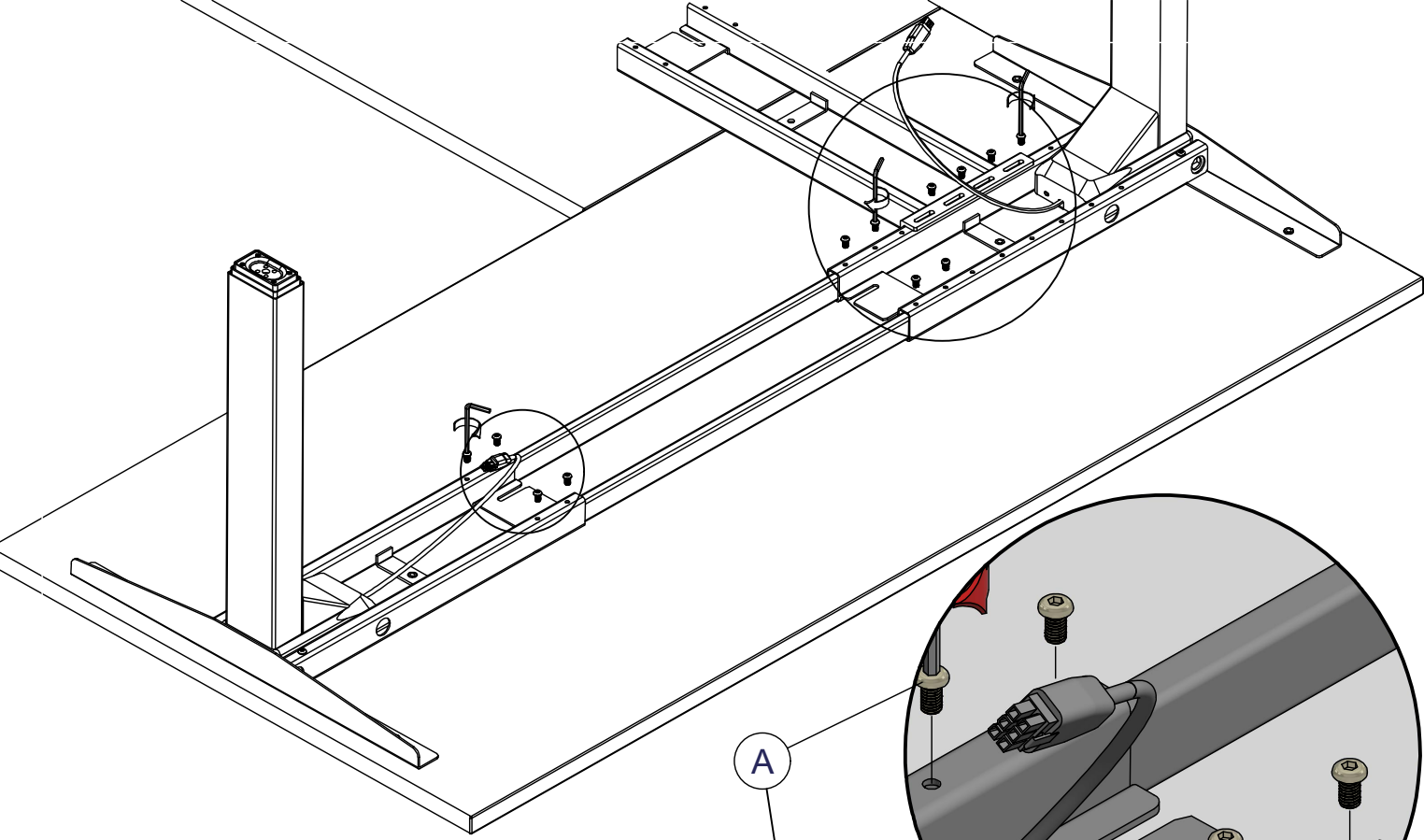
Measure the center of the rails and make a mark on the top



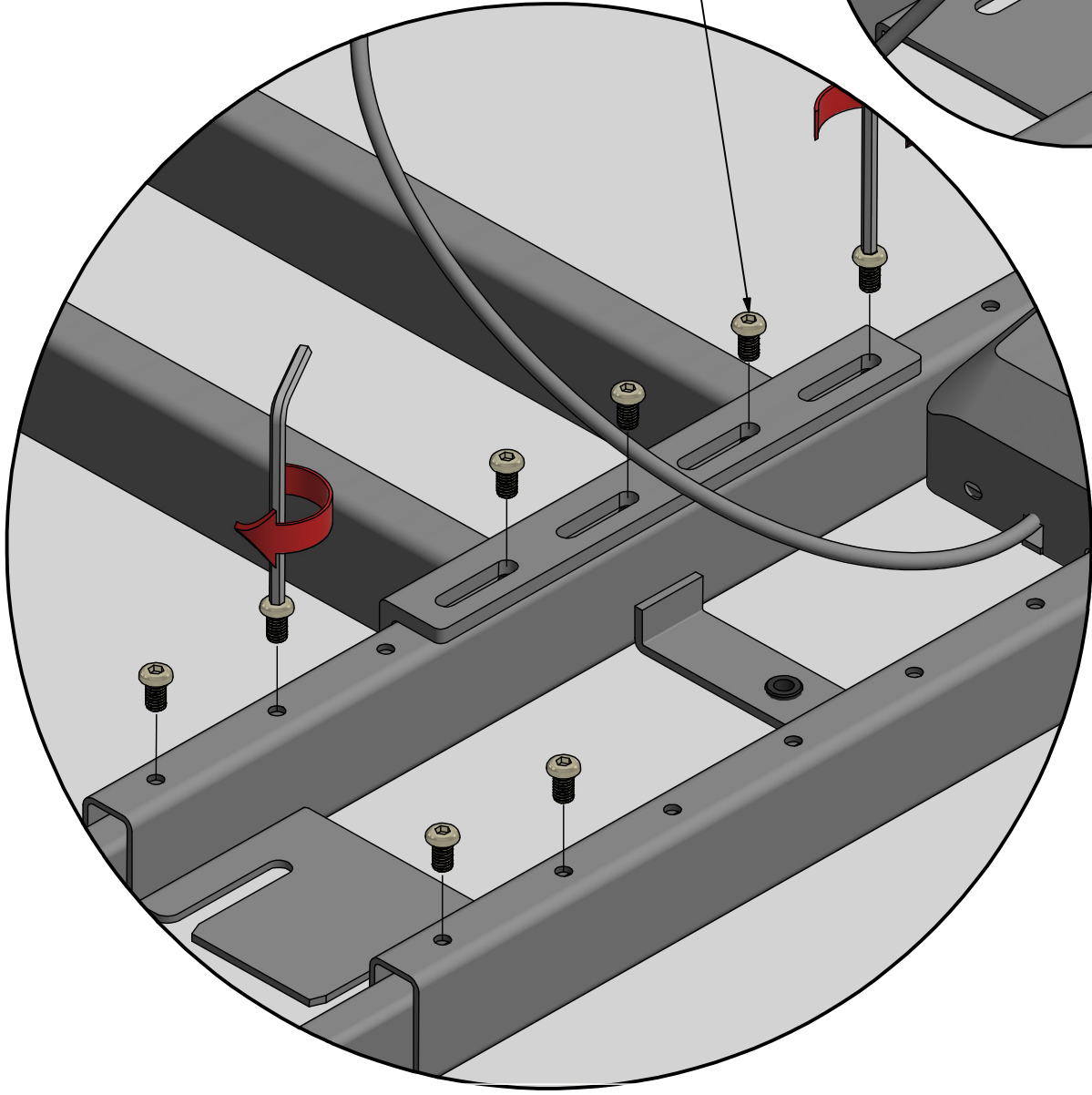


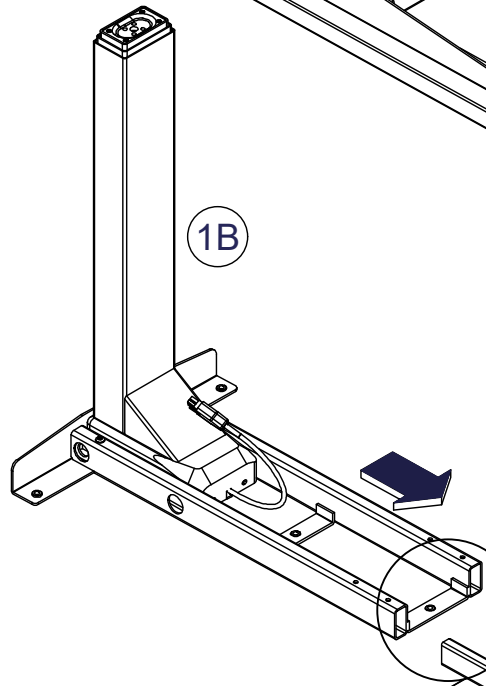
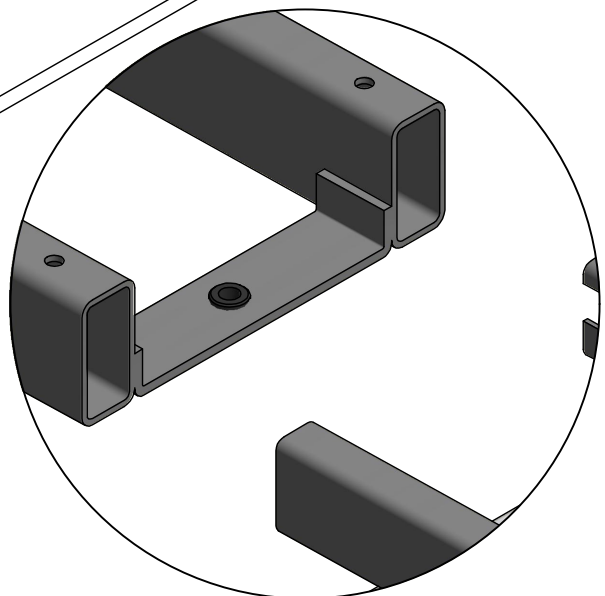
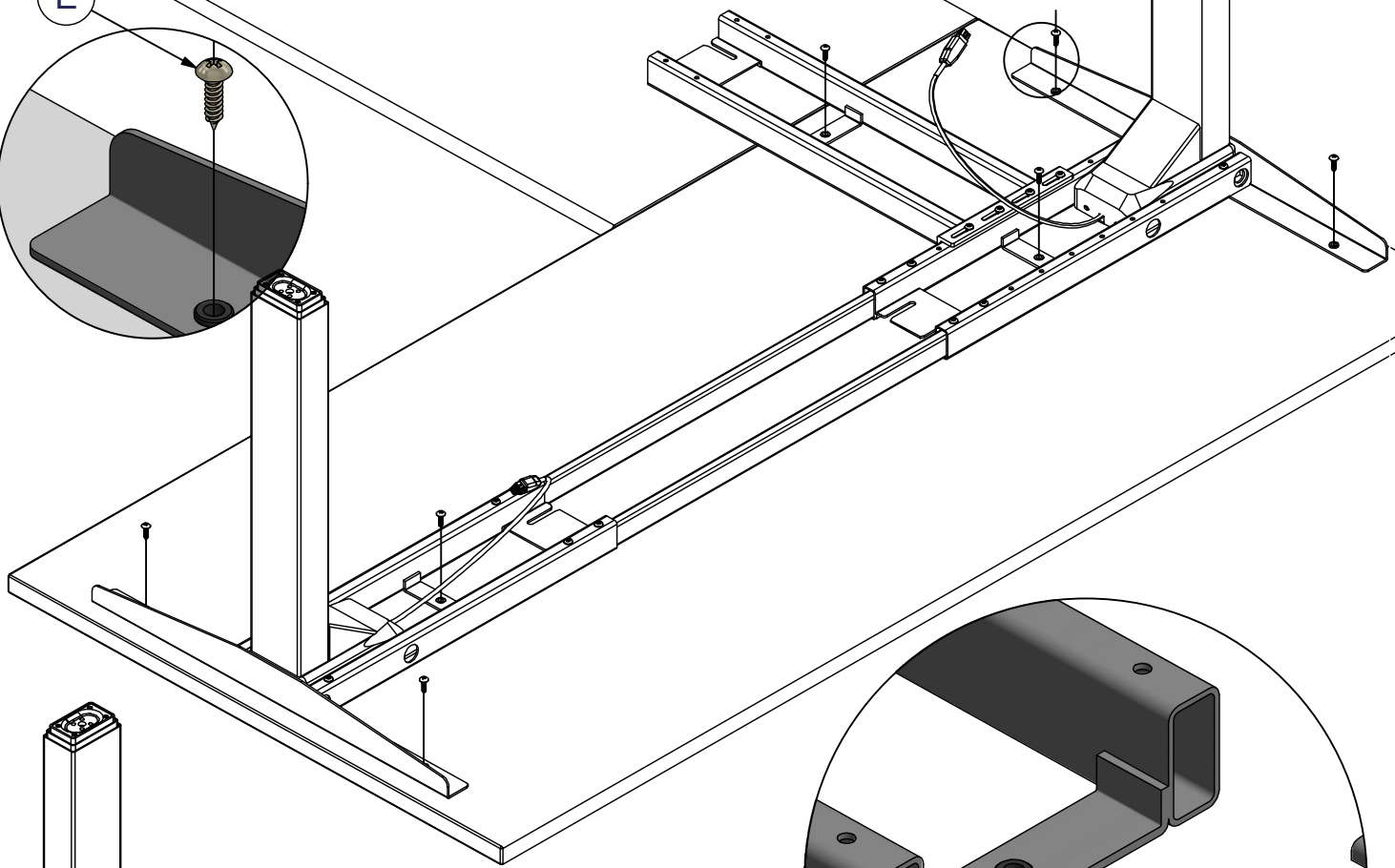
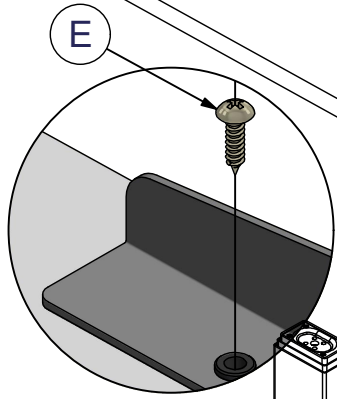
1A



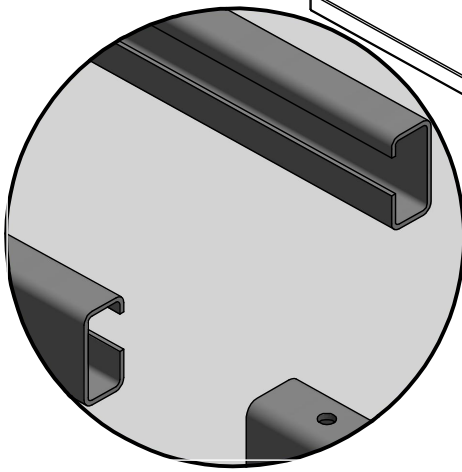
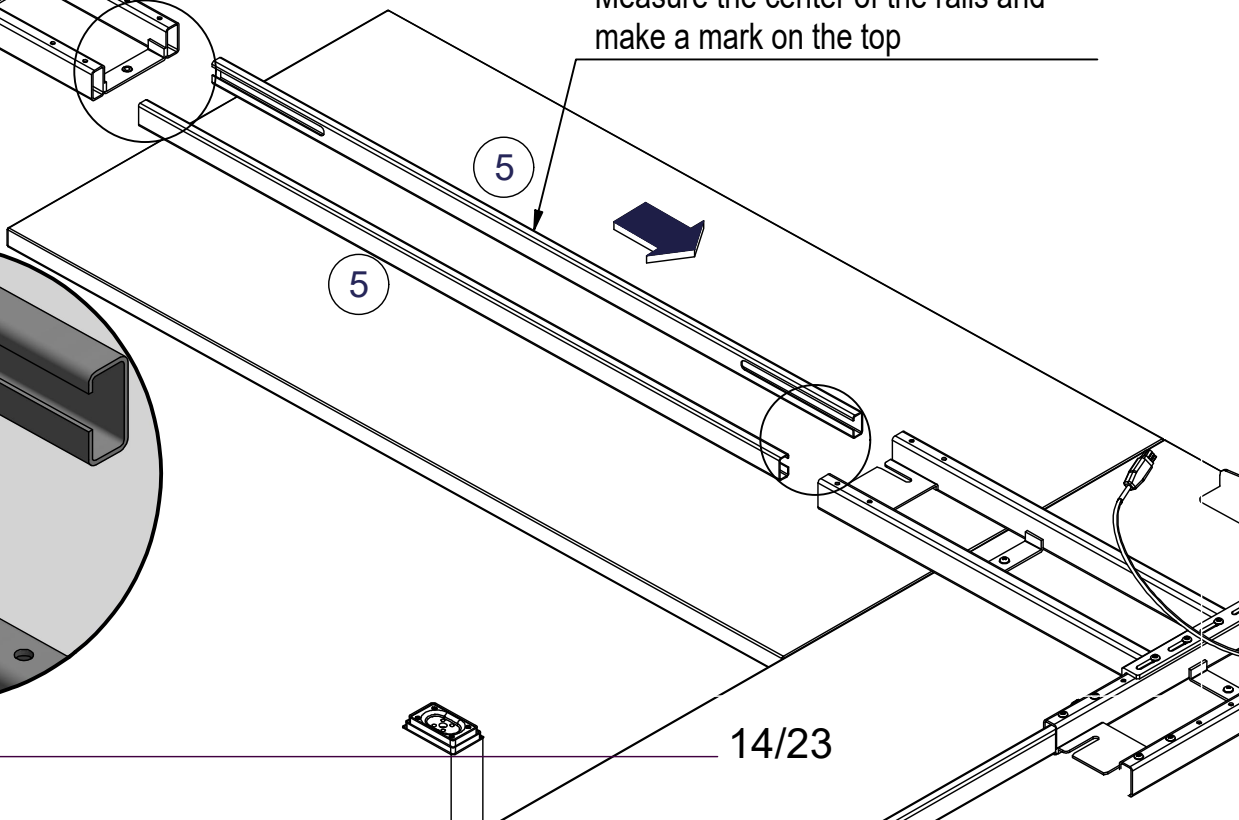


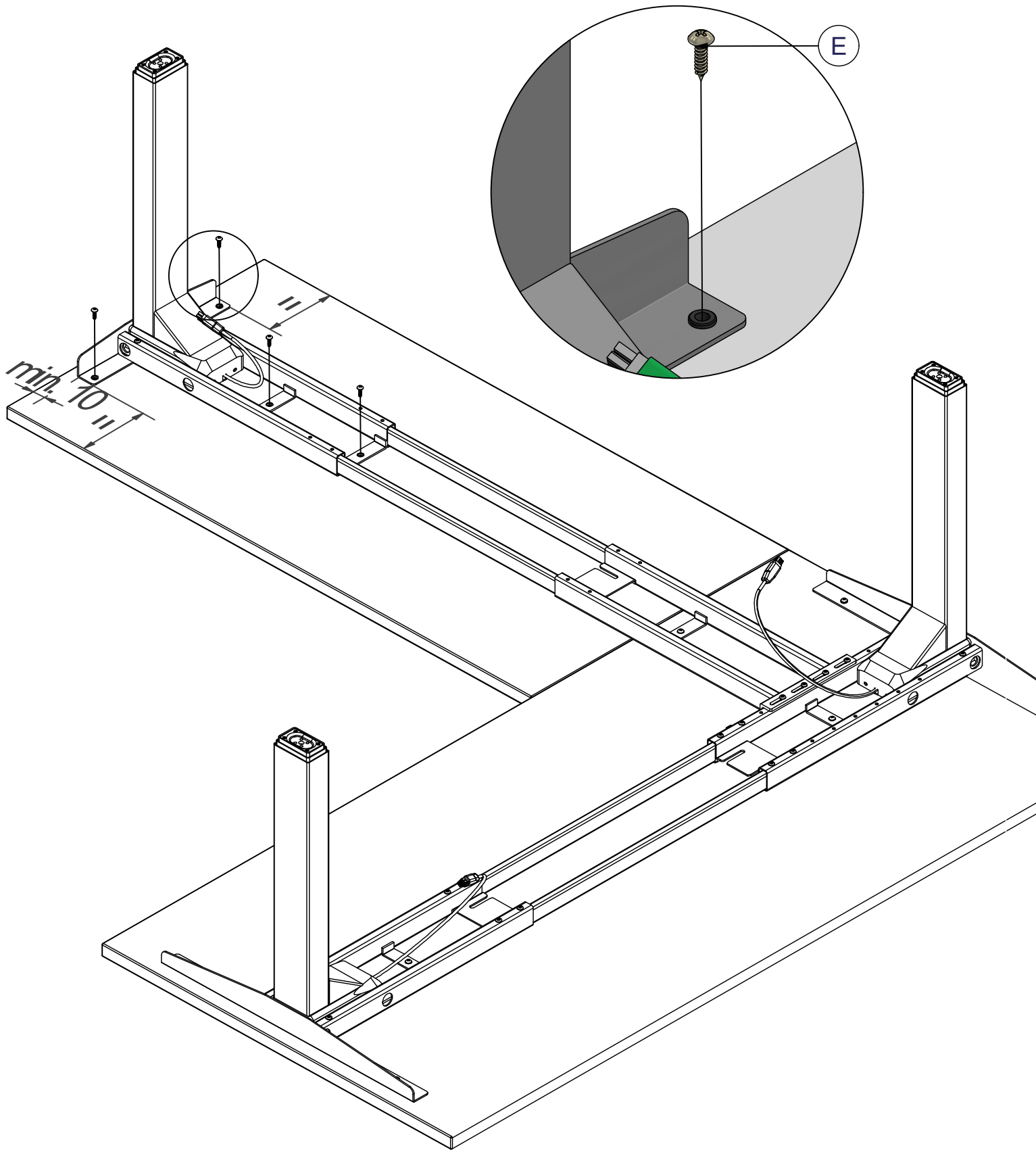
A

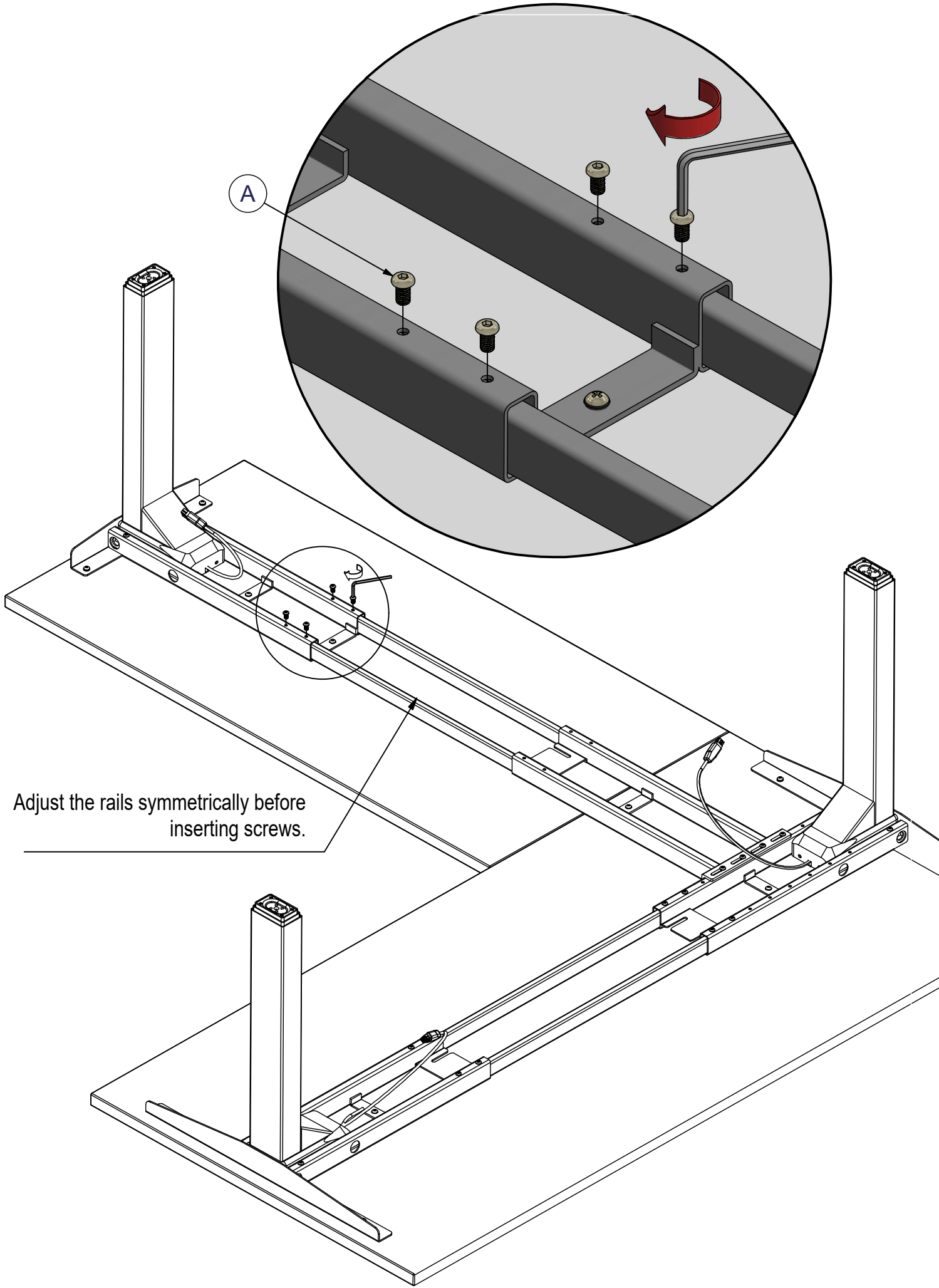




Measure the center of the rails and make a mark on the top

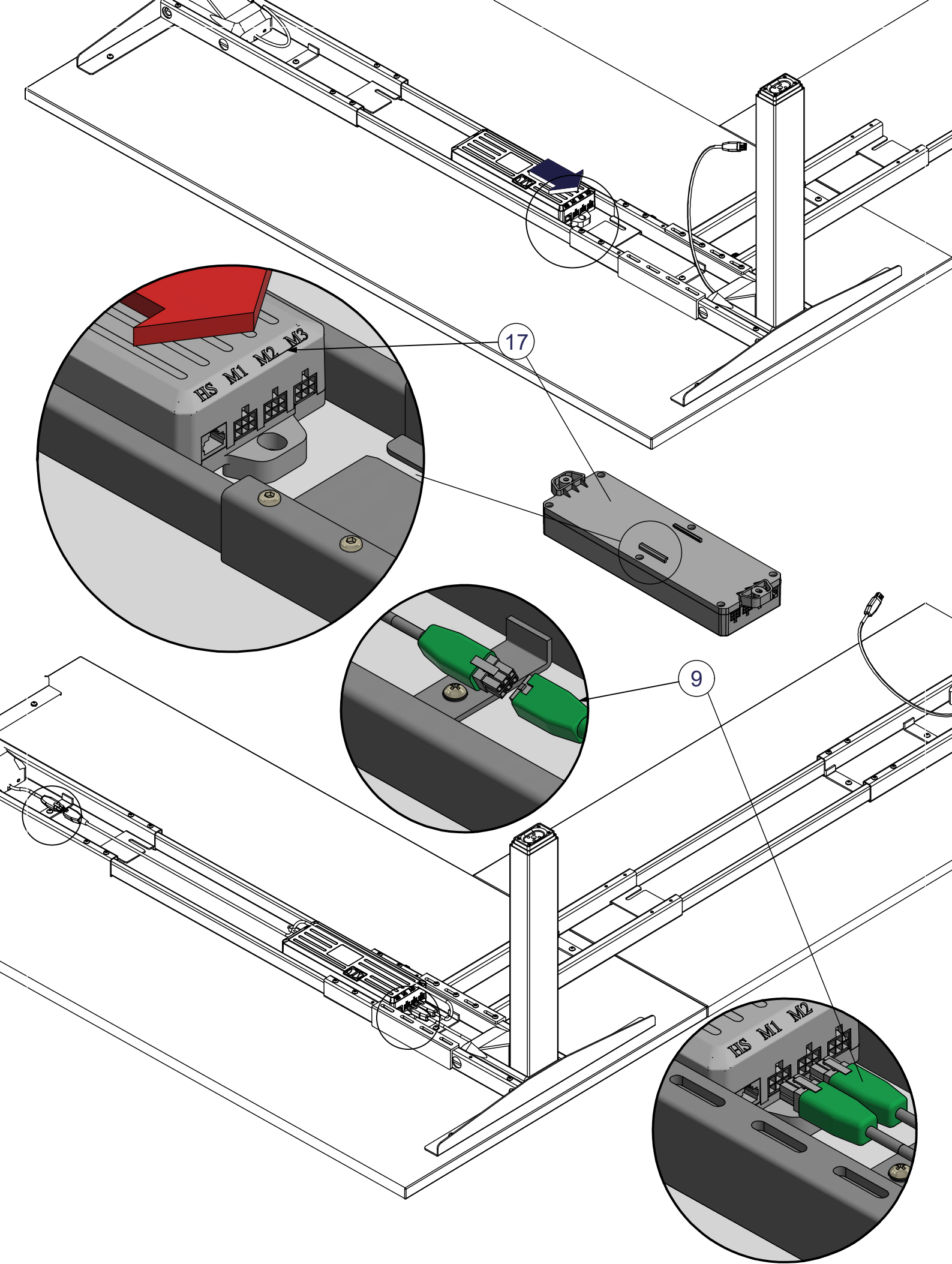


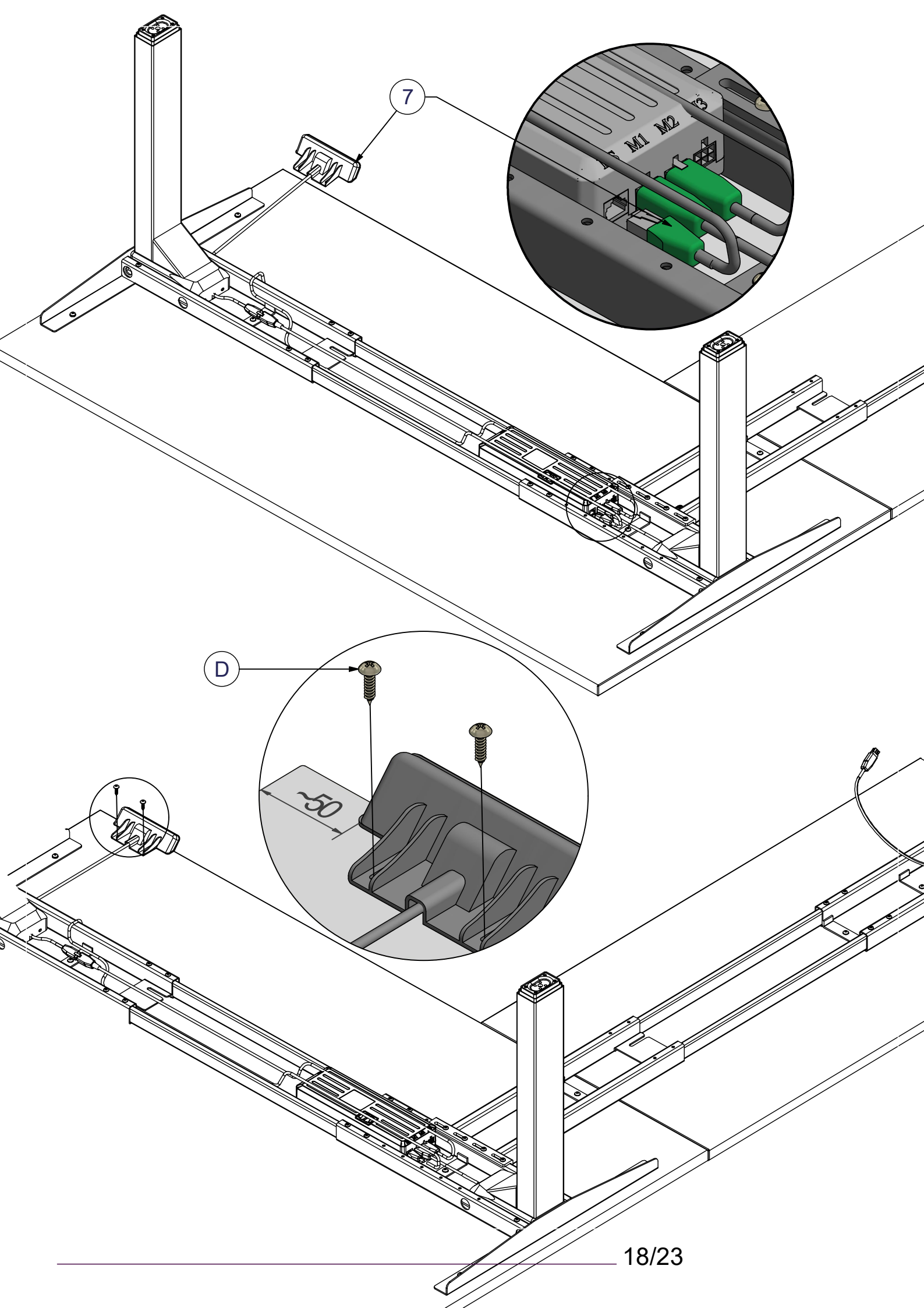


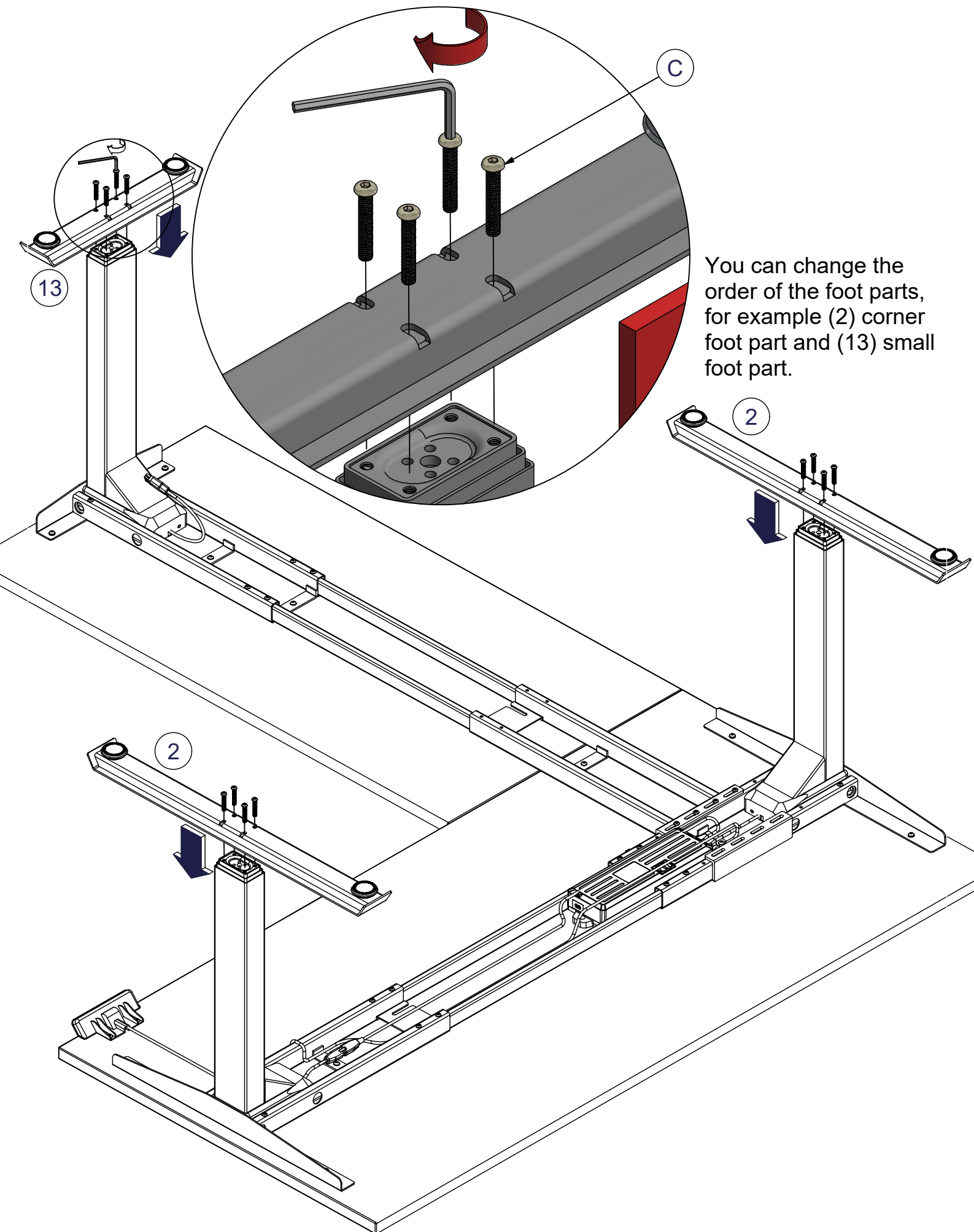


A

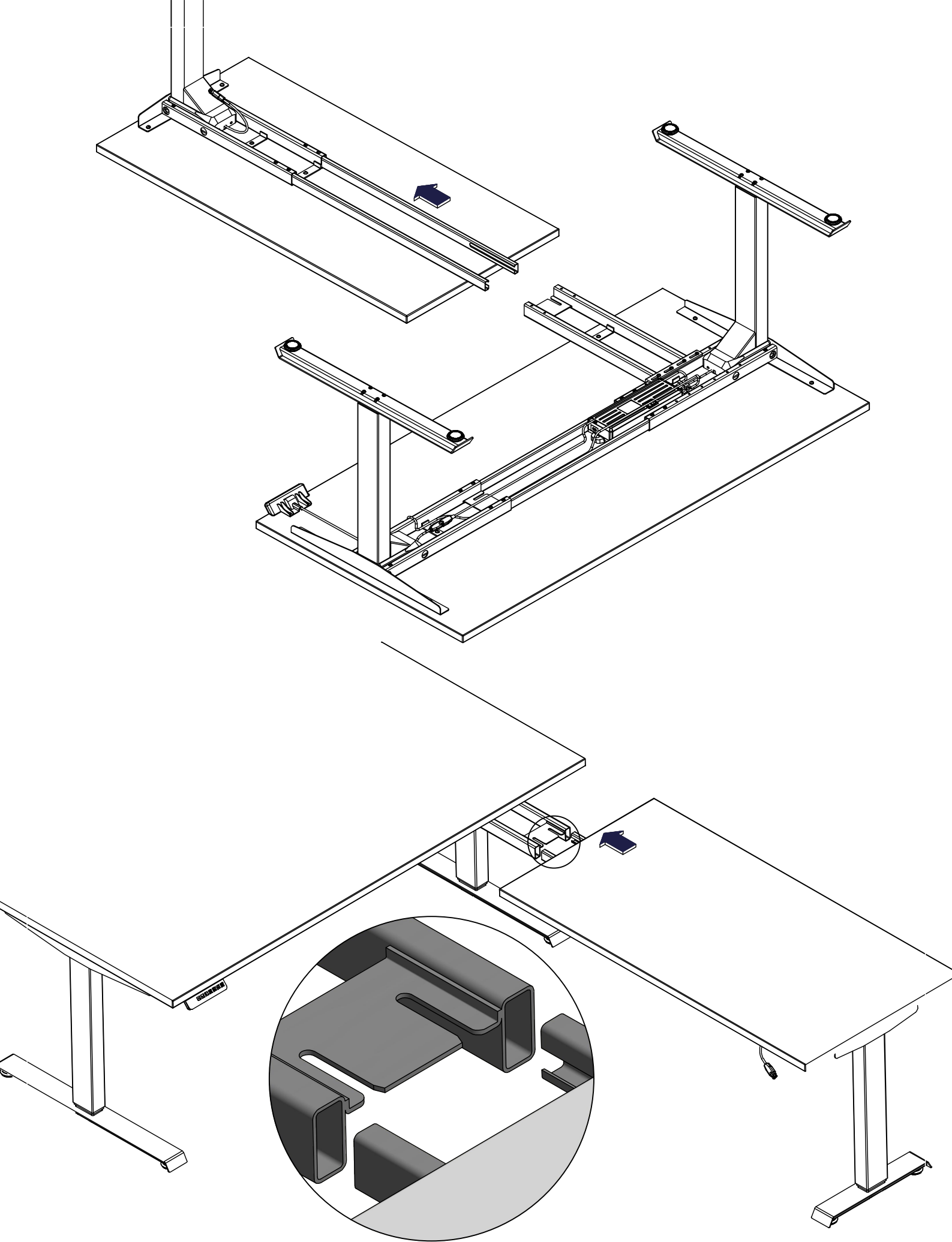
Adjust the rails symmetrically before inserting screws.

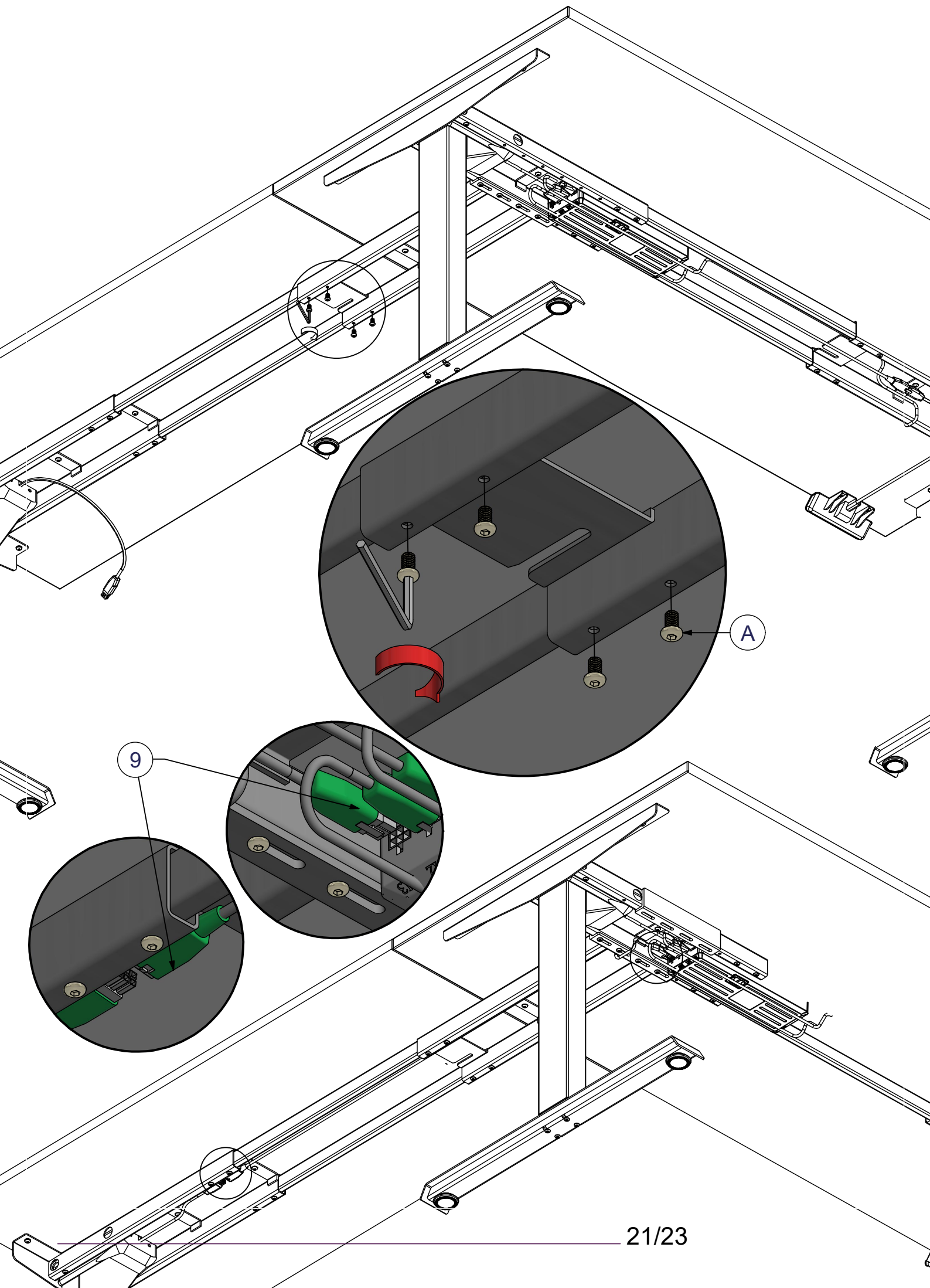


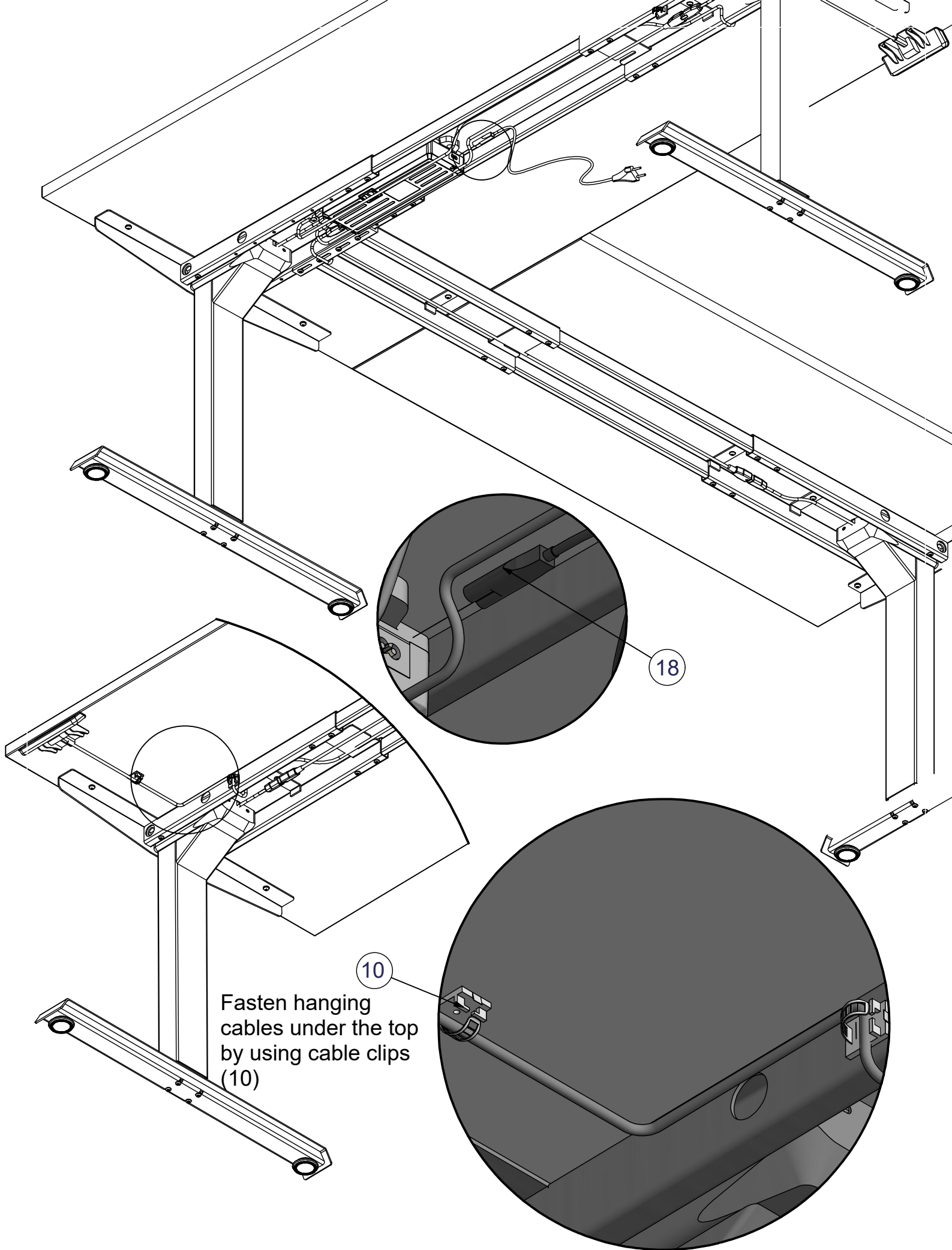




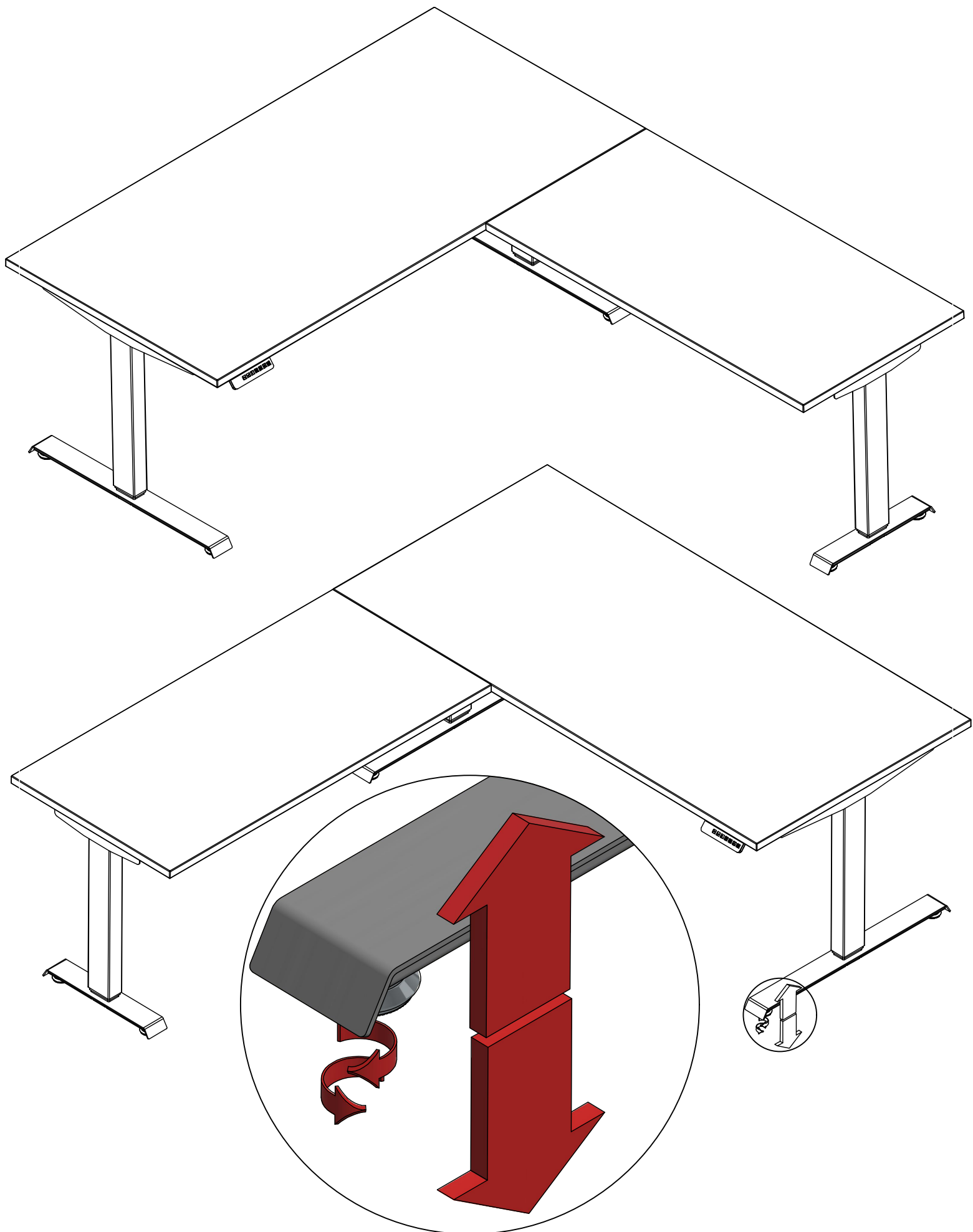
You can change the order of the foot parts, for example (2) corner foot part and (13) small foot part.







Fasten hanging cables under the top by using cable clips (10)



Pre-installed glides
(adjust according to the floor)