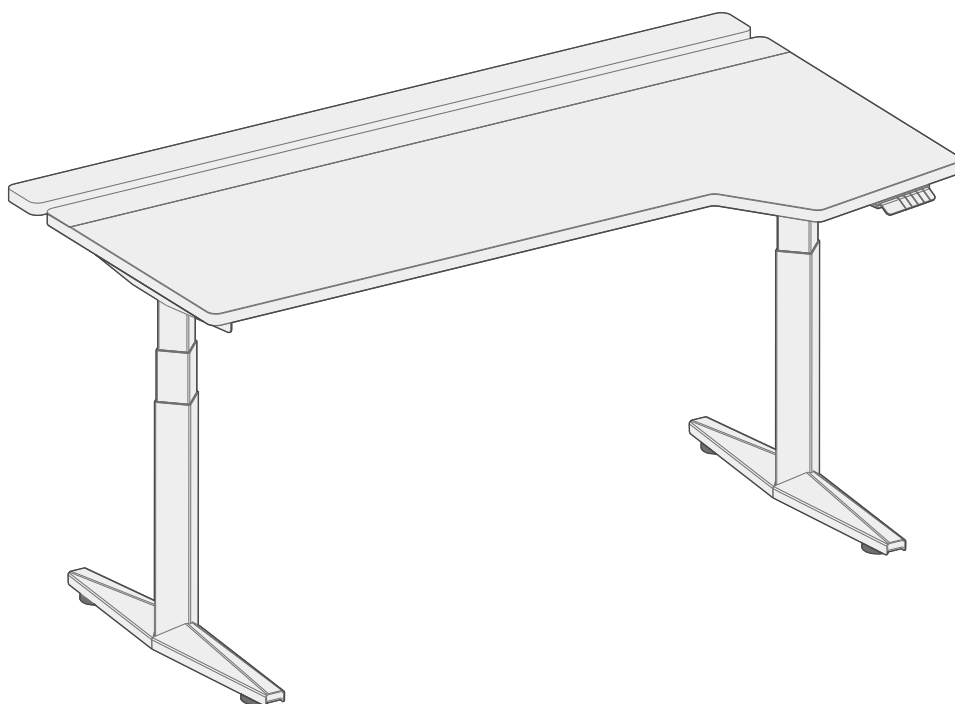


INVICTUS-C **GAMING DESK**

Assembly Guide And User Manual



NUMBER OF PEOPLE
X2



ASSEMBLY TIME
15 MINUTES



PLEASE ASSEMBLE
ON THE CARPET













This desk can only be used with the electric control system provided (This product must be powered on). All personnel responsible for the installation and maintenance of this table should read the instructions carefully.











Transportation

Please handle with care and avoid products falling.

Assembly

-  Check package contents for completeness or damage before assembly.
-  Check the product appearance and wire for obvious damage, do not install or operate products if damaged.
-  Make sure the product is not connected to a power source during assembly.
-  Ensure that there are no unnecessary obstacles near the assembly area.
-  Ensure that personnel with limited knowledge to respond to hazards are not involved in the assembly process.
-  Children are not allowed to participate in the assembly process to avoid accidentally swallow the installation parts.
-  Do not immerse any components in liquid and clean only with a dry or slightly damp cloth.
-  Do not place any wires under continuous heating source.
-  Be careful not to trip over the wires and to prevent entanglement (between wires and wires, between wires and people).
-  Please be careful to avoid electric shock when plugging in.

Using

-  Persons without permission (Children with limited knowledge to potential hazards, people affected by drugs, etc.) should not use, clean or maintain equipment without supervision.
-  Don't sit or stand on the desk.
-  Power the desk off first, and then go under the desk to fix the table top or clean it.
-  Avoid injury caused by collision with desk corners.
-  The desk should not be used in obstructed areas, such as under window edges, cabinets, etc. Please used the desk over 5cm away from the wall.
-  When resetting the desk, please remove everything under the desk, such as chair, cabinet.
-  Please adjust the height of the desk to the lowest and remove all things on the table top before moving the table.
-  Children are not allowed to play with products as toys.
-  After 1 week of use, check that the screws are properly tightened.
-  Before first use, make sure all parts are properly assembled and connected.

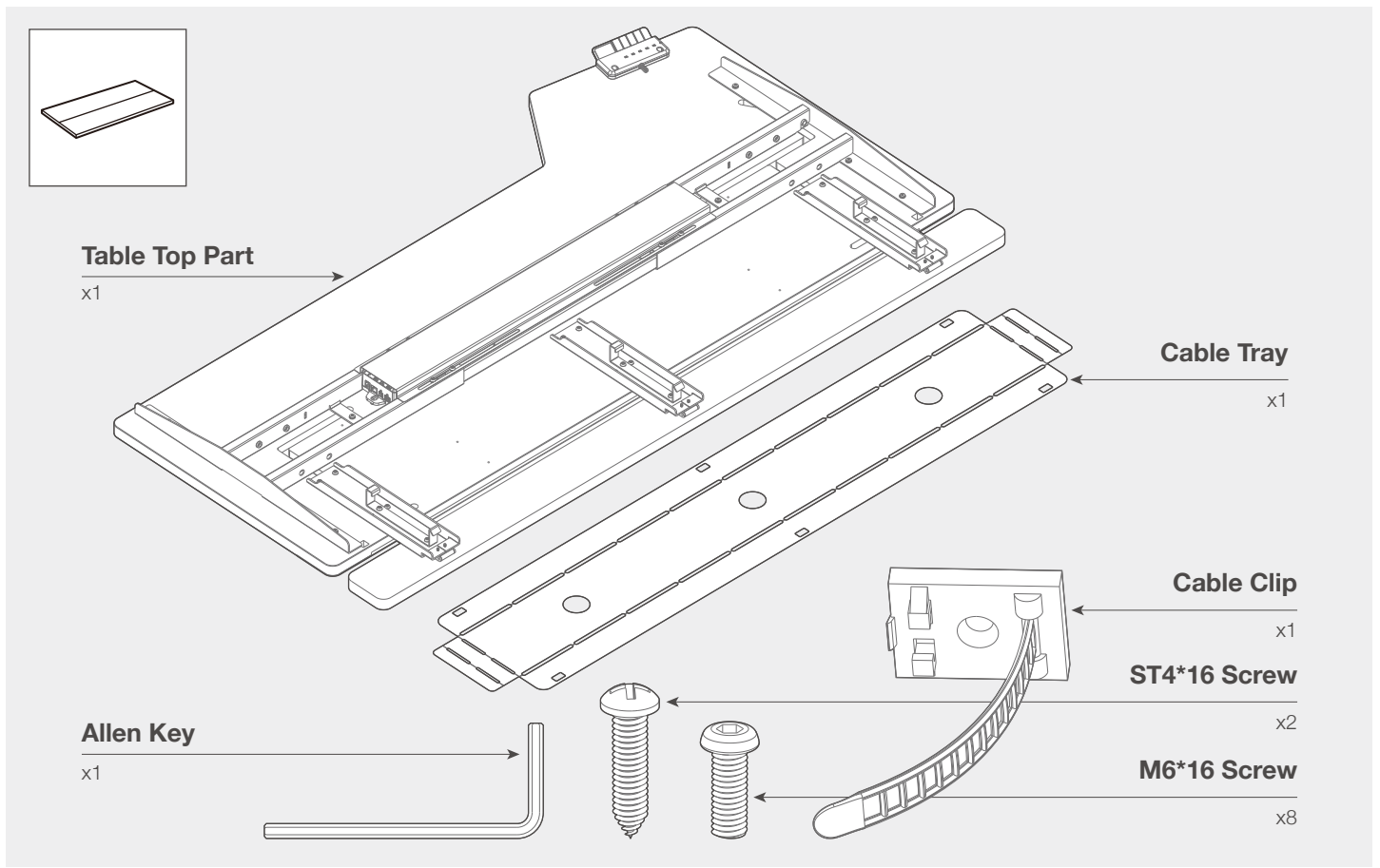


TECHNICAL SPECIFICATIONS

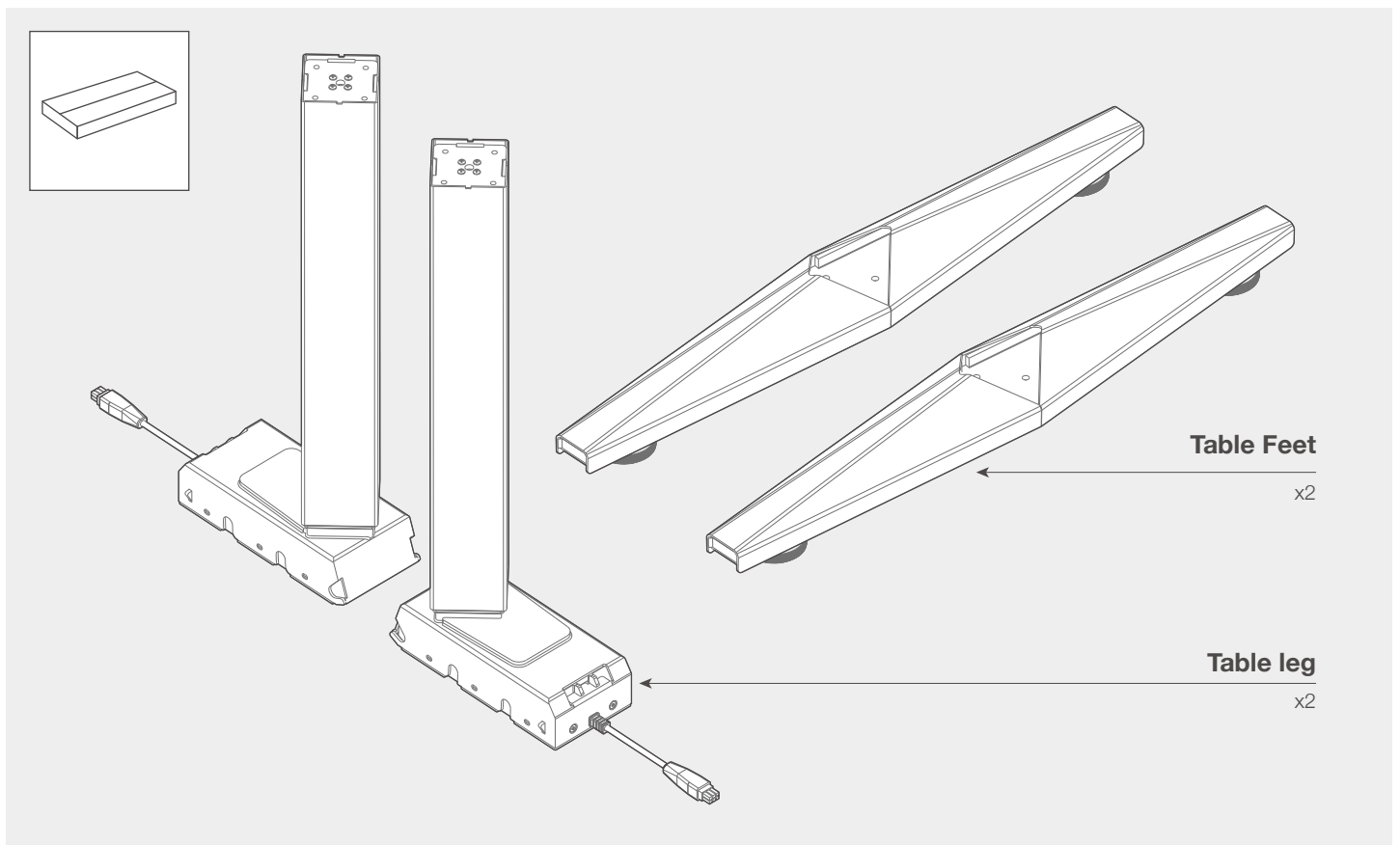
Models	Invictus-C gaming desk
Metal Desk Top Dimensions	1600mm x 912mm
Height Range	600mm - 1200mm
Rated Load	120kg
Standard Color	Black
Max. Speed	40mm/s
Number of Motors	2
Weight	66kg
Noise	<50dB
Control Box Input Voltage	110V/240V
Duty cycle	S2-20 min. Continuous work for most 2 minutes in a period of 20 minutes
Working Environment	Indoor



PARTS LIST - BOX 1

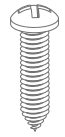
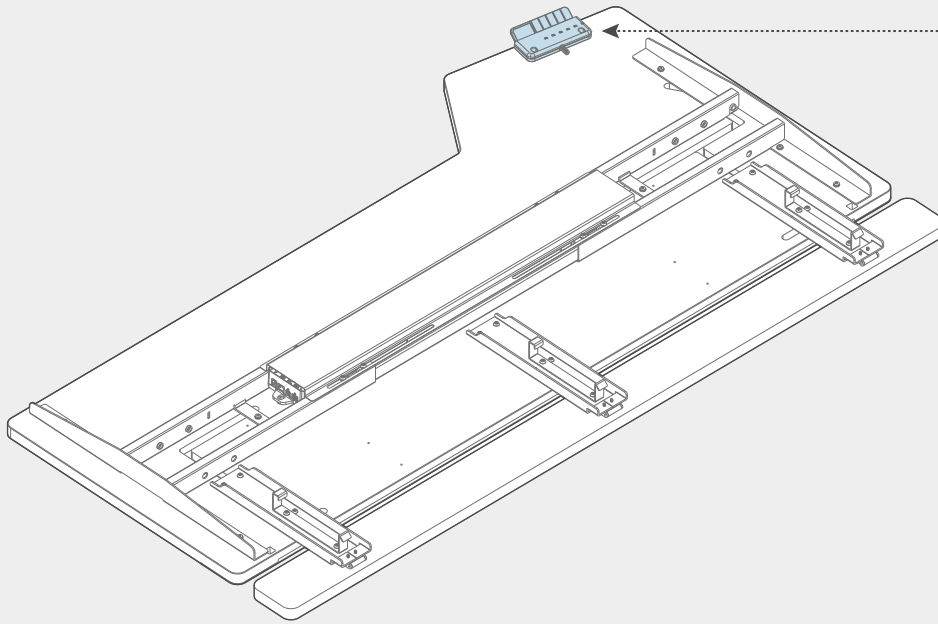


PARTS LIST - BOX 2



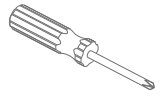


01

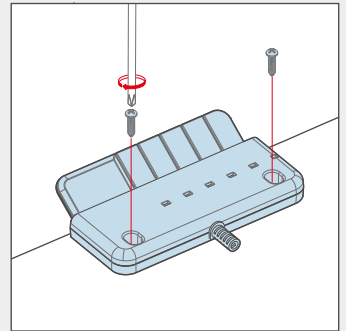


X 2

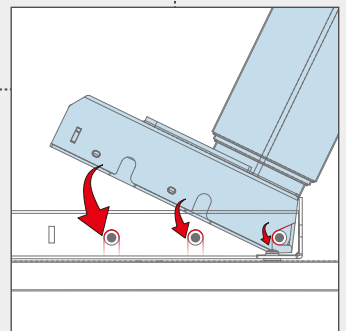
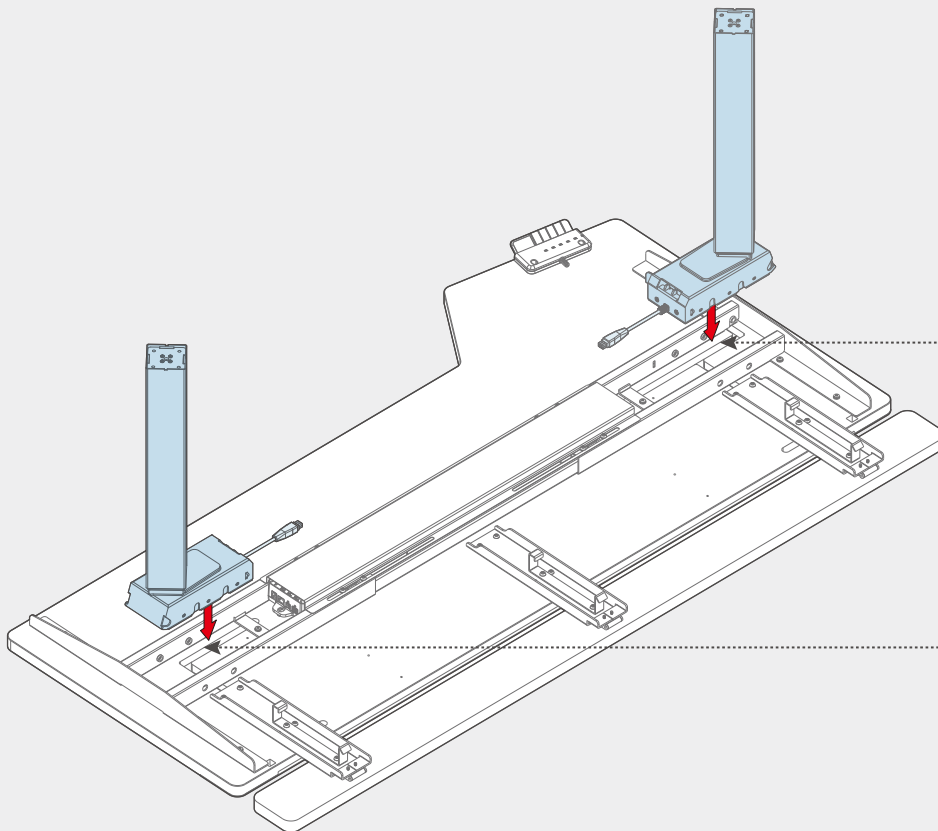
ST4*16 Screw



Screwdriver

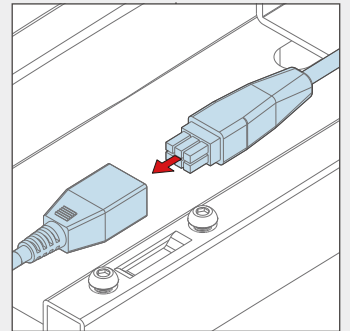
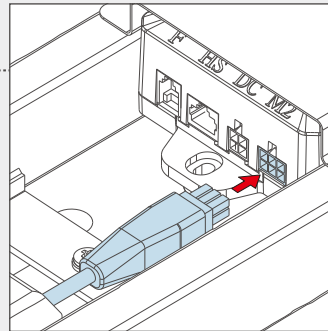
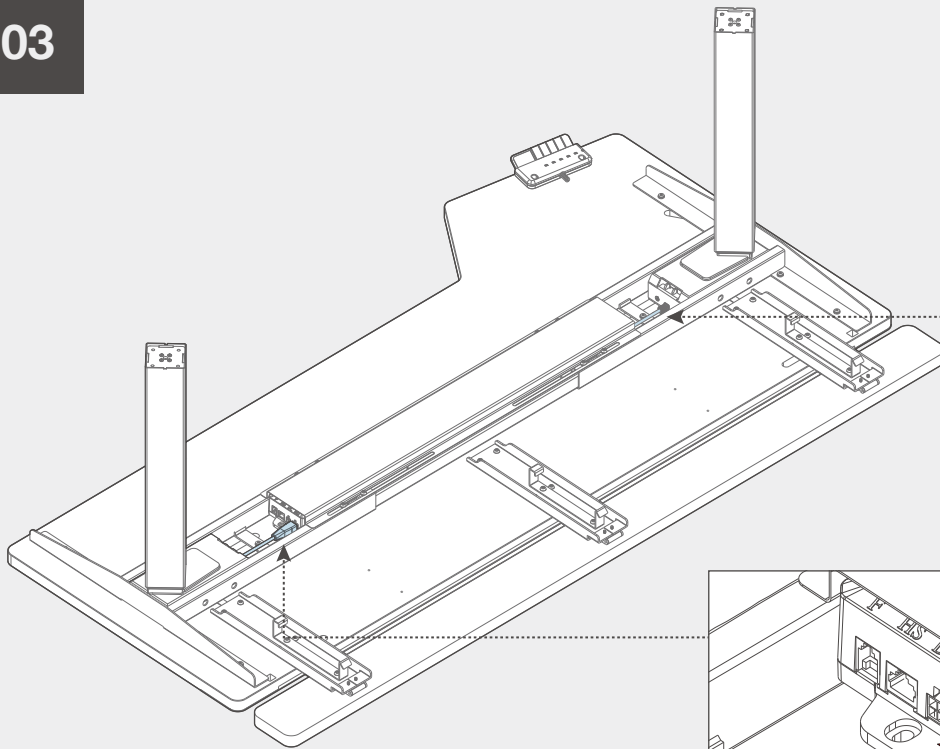


02

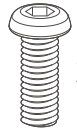
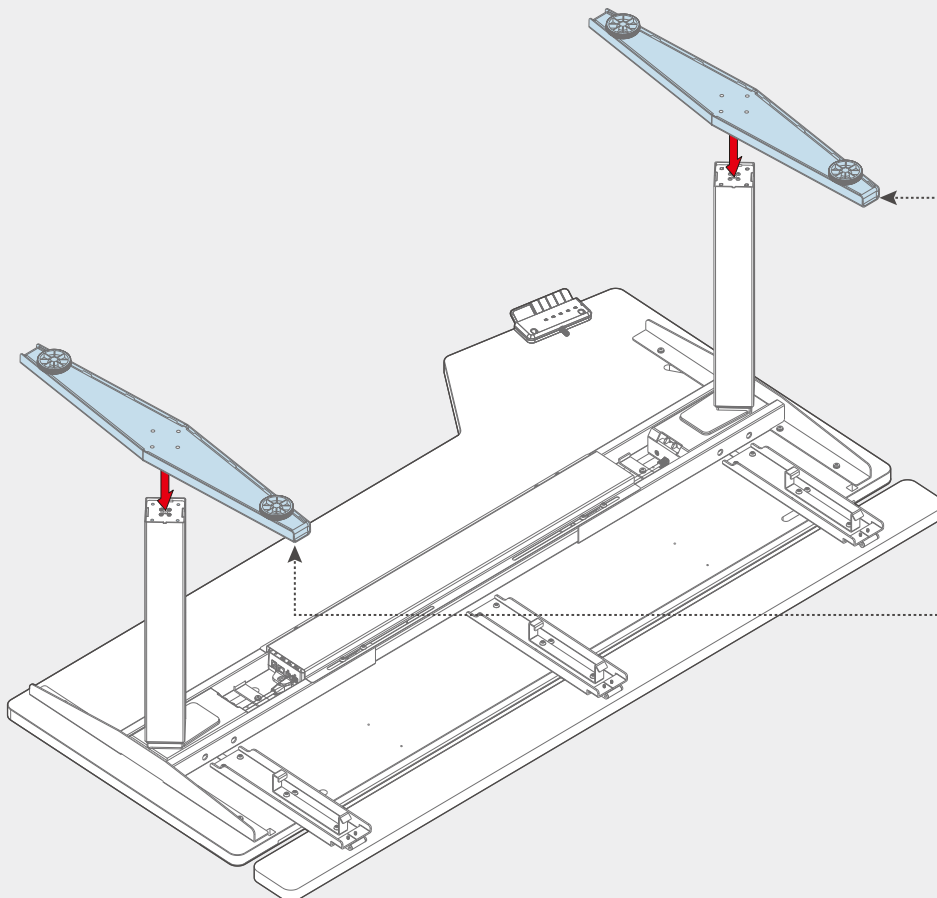




03



04

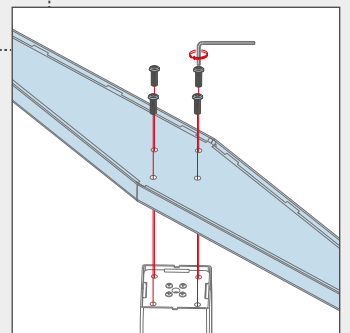


X 8

M6*16 Screw

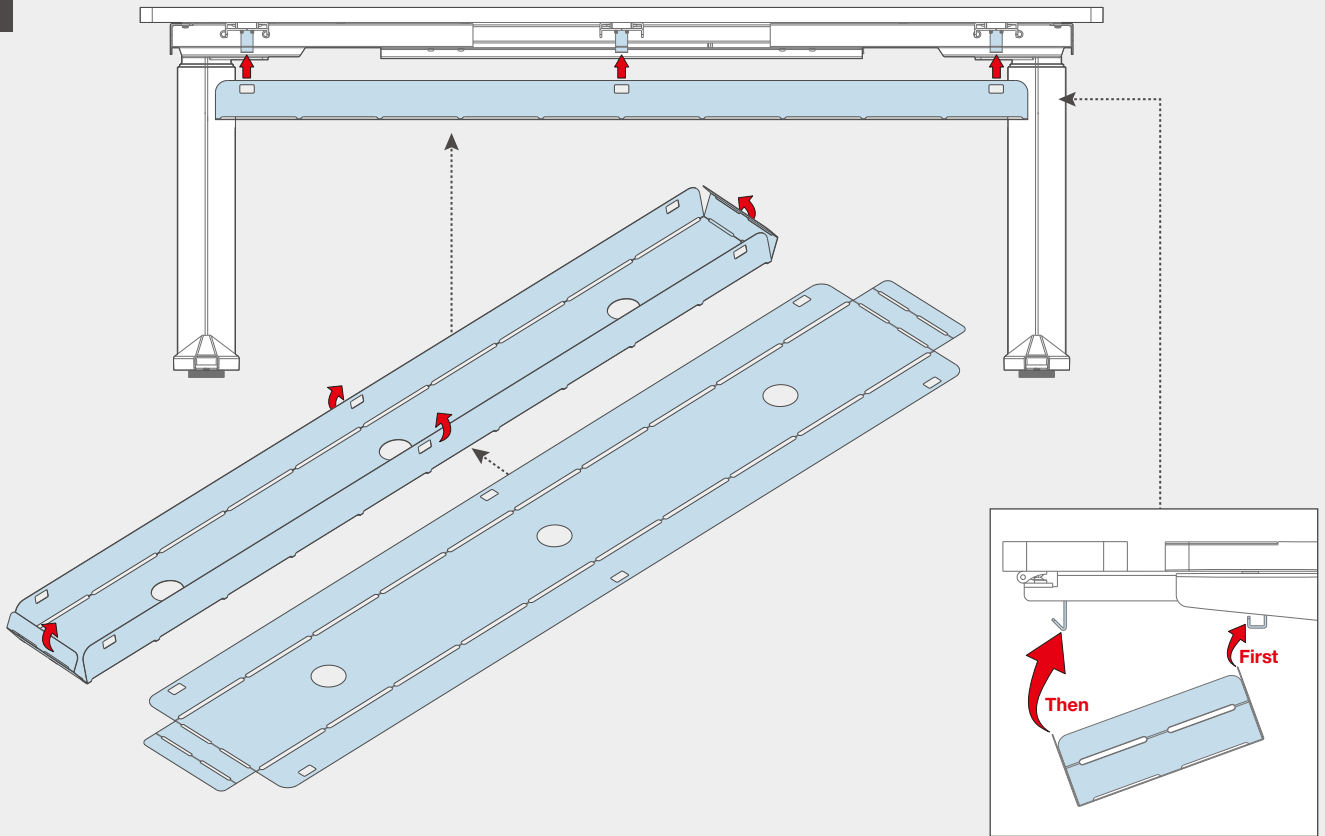


Allen Key

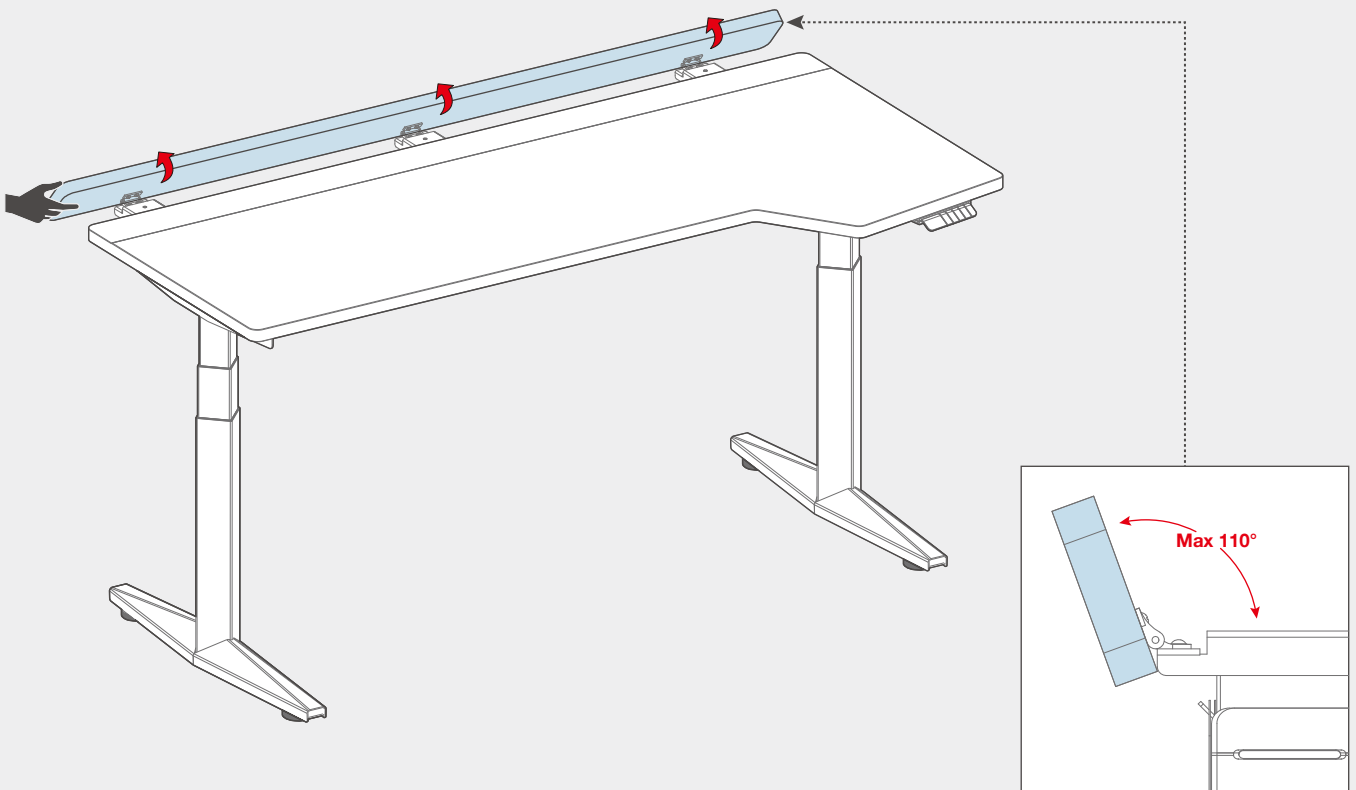




05

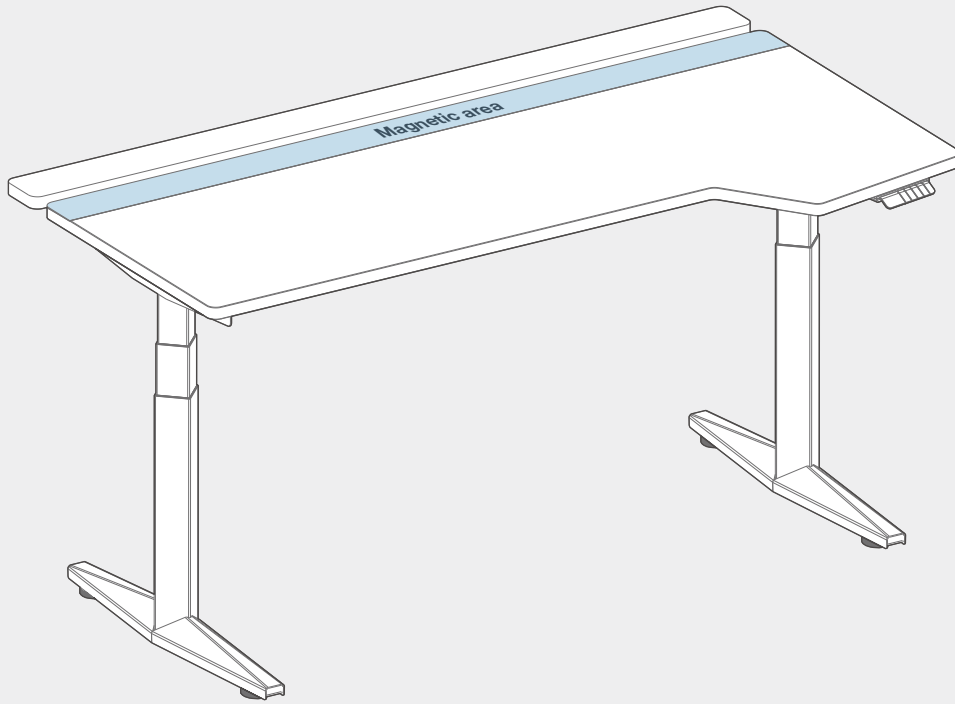


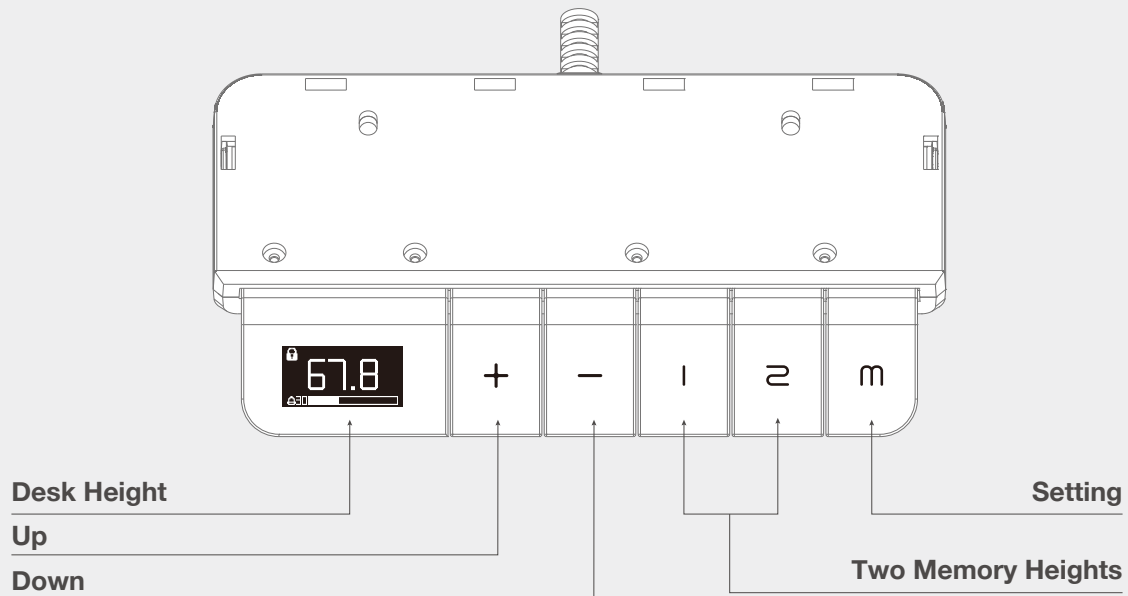
06





07





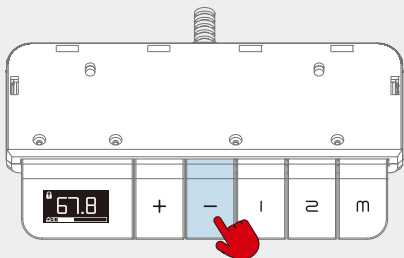
Notes

1. Clear all obstacles before up or down movement.
2. Ensure clearance between the desktop and wall.

Suggestions

1. Set memory position 1 as the most comfortable seated height.
2. Set memory position 2 as the most comfortable standing height.

Reset



Condition

The display shows an error code.

Operation

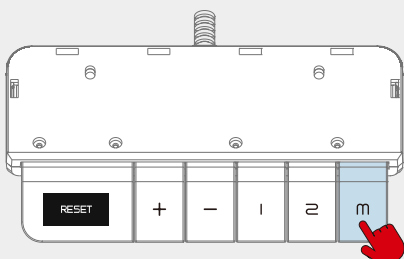
Power the desk off and back on.

If the error code remains and the desk is above the fully retracted height, press and hold the "-" [show actual icon] button until the desk lowers all the way to the bottom; release the button.

Once the desk is at the lowest position, press and hold the "-" [show actual icon] button for 5 seconds. The display will show "RST"; release the button.

Press and hold the "-" [show actual icon] button again while the desk lowers a small amount, pauses, and pops back up to the starting position; release the button. The display should show the desk height.

Changing The Displayed Minimum Height



Use the "-" button to move the desk to the lowest position.

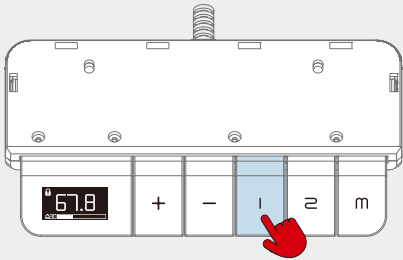
Enter the Reset mode by pressing and holding the "-" button until the display shows "RST"; release the button (about 3 seconds). Press the "M" button until the display flashes the height; release the button.

Press the "+" or "-" buttons to adjust the height. The display will return to "RST".

Press and hold the "-" button to finish the Reset process.



Choosing One-touch Or Constant-touch Memory Program



Use the "-" button to move the desk to the lowest position. Enter the Reset mode by pressing and holding the "-" button until the display shows "RST"; release the button (about 3 seconds).

Press the "1" button until the display shows either:

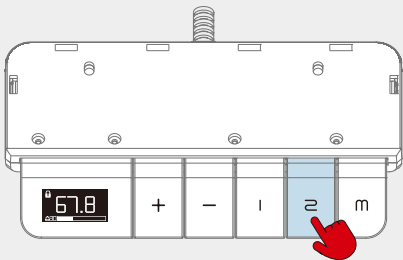
10.1 = One-Touch

10.2 = Constant-Touch

Toggle between the two programs with the "1" button.

Press and hold the "-" button to finish the Reset process.

Choosing Inches Or Centimeters For Display Height



Use the "-" button to move the desk to the lowest position. Enter the Reset mode by pressing and holding the "-" button until the display shows "RST"; release the button (about 3 seconds).

Press the "2" button until the display shows either:

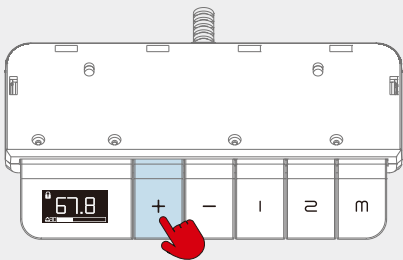
10.3 = centimeters

10.4 = inches

Toggle between the two programs with the "2" button.

Press and hold the "-" button to finish the Reset process.

Adjusting The Anti-collision Sensitivity



Use the "-" button to move the desk to the lowest position. Enter the Reset mode by pressing and holding the "-" button until the display shows "RST"; release the button (about 3 seconds).

Press the "+" button until the display shows either:

10.5 = lower sensitivity

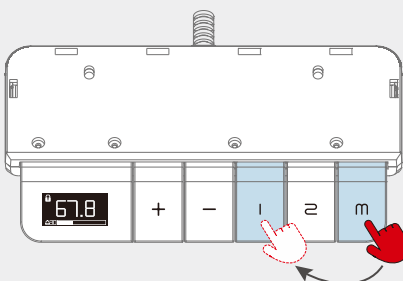
10.6 = moderate sensitivity

10.7 = higher sensitivity

Toggle between the three options using the "+" button.

Press and hold the "-" button to finish the Reset process.

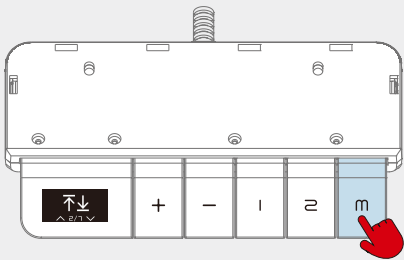
Setting A Memory Position



Move the desk to the desired position. Press the "M" button; the display will show "S-". Press either "1" or "2" to store the position.



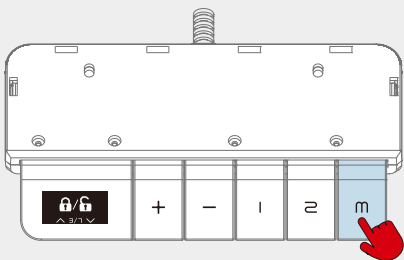
Setting Or Canceling The Limit



Press the "M" button until enter the main menu; release the button.
Press the "+" or "-" buttons to adjust to the limit setting submenu, and press the "M" button to enter.
Press the "+" or "-" button to select setting upper limit/setting lower limit/canceling limit, and press the "M" button to confirm.
✔ will be displayed after the setting is successful.



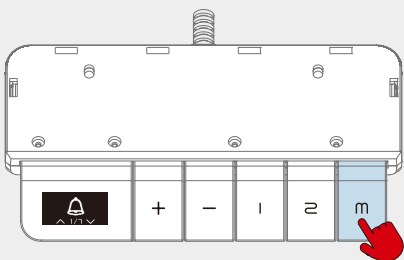
Locking Or Unlocking The Handset



Press the "M" button until enter the main menu; release the button.
Press the "+" or "-" buttons to adjust to the lock/unlock submenu, and press the "M" button to enter.
Press the "+" or "-" buttons to select locking handset/unlocking handset, and press the "M" button to confirm.
✔ will be displayed after the setting is successful.
When the handset is locked, press the buttons in order from left to right on the display to unlock the handset, and the handset can be used normally after unlocking.



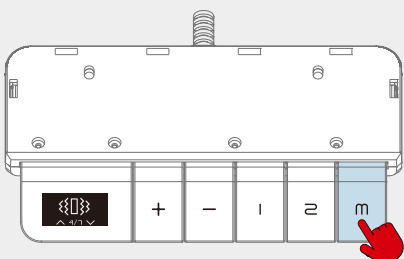
Setting The Sedentary Reminder



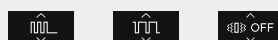
Press the "M" button until enter the main menu; release the button.
Press the "+" or "-" buttons to adjust to sedentary reminder submenu, and press the "M" button to enter.
Press the "+" or "-" buttons to select the sedentary reminder time or canceling it, and press the "M" button to confirm.
✔ will be displayed after the setting is successful.
After setting, a sedentary reminder progress bar will appear on the display. When the time is up, the handset will vibrate, and the up button will flash red light.



Setting The Sedentary Reminder Vibration Mode

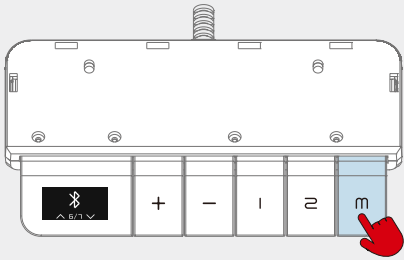


Press the "M" button until enter the main menu; release the button.
Press the "+" or "-" buttons to adjust to sedentary reminder vibration mode submenu, and press the "M" button to enter.
Press the "+" or "-" buttons to select the sedentary reminder vibration mode or canceling it, and press the "M" button to confirm.
✔ will be displayed after the setting is successful.



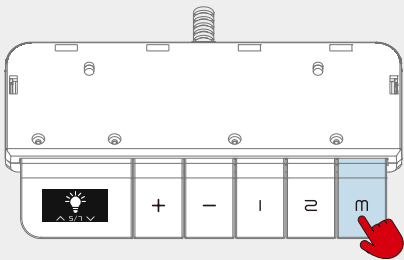


Bluetooth Function



Press the "M" button until enter the main menu; release the button.
Press the "+" or "-" buttons to adjust to bluetooth submenu, and press the "M" button to enter.
The handset will display a QR code, which can be scanned and connected through the AiDesk APP to realize the remote control of the desk with the mobile phone.

Setting The Light Color



Press the "M" button until enter the main menu; release the button.
Press the "+" or "-" buttons to adjust to light color submenu, and press the "M" button to enter.
Press the "+" or "-" buttons to select the light color or canceling it, and press the "M" button to confirm.
The light are available in 6 colors.
☑ will be displayed after the setting is successful.

Colors



Blue



Cyan



Red



Purple



Orange

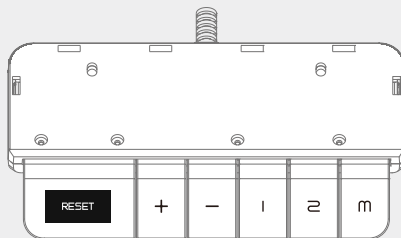
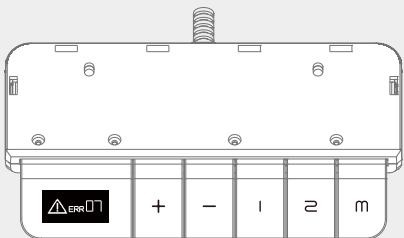


White



Unlighted

Troubleshooting



Do a system reset for...

- abnormal operation
- display shows RST
- display shows an error code (E01-E13).

If the display shows HOT, unplug the desk and wait for 20 minutes.